

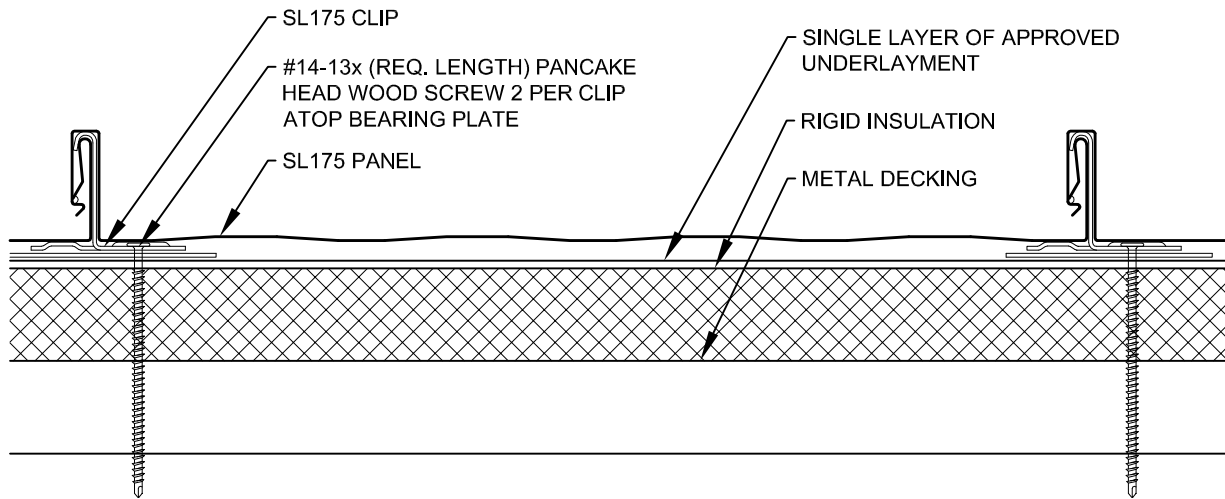


SL175 Standing Seam

Rigid Insulation Over Metal Deck Master Details

Architectural / Solid Substrate / Steep Slope

The following details are commonly used over steep sloped applications including those over solid substrates such as plywood or steel decking with rigid insulation. Such details are largely based on hydrokinetic (water shedding) design principles and architectural detailing.



FAYETTEVILLE, NC
888-685-7663

SPENCER, NC
800-526-8156

ANDERSON, SC
800-544-5169

TIFTON, GA
800-962-9131

ORANGE, VA
800-762-6785

OCALA, FL
800-331-3584

VICKSBURG, MS
888-661-0577

TIPP CITY, OH
877-615-9812

OKLAHOMA CITY, OK
866-373-5286

SCRANTON, PA
866-695-6455



SL175 Standing Seam -Rigid Insulation Over Metal Deck-

Index

Panel Information **Detail No.**

| | |
|--|------|
| Panel Application | 0.10 |
| System Overview - Panel Profiles..... | 0.20 |
| System Overview - Clips | 0.21 |
| Thermal Gap Installation Chart - Steel..... | 0.30 |
| Thermal Gap Installation Chart - Aluminum..... | 0.31 |

Eave Details **Detail No.**

| | |
|---|-------|
| Extended Eave | 1.10 |
| Extended Eave - Steep Slope | 1.10A |
| Extended Eave with Gutter | 1.20 |
| Extended Eave with Gutter - Steep Slope | 1.20A |
| Extended Eave with Soffit | 1.30 |
| Extended Eave with Soffit & Gutter | 1.40 |
| Extended Eave with Vertical Flush Panel | 1.50 |
| Extended Eave with Vertical Standing Seam Panel | 1.60 |
| Extended Eave Lap Detail | 1.90 |

Gable Details **Detail No.**

| | |
|------------------------------------|------|
| Gable - Extended Drip | 2.10 |
| Gable - Box | 2.20 |
| Gable - Box with Zee Closure | 2.30 |
| Box Gable Lap Detail | 2.90 |

Valley Details **Detail No.**

| | |
|-------------------------------|------|
| Valley - Integral Cleat | 3.10 |
| Valley - Offset Cleat | 3.20 |
| Valley Lap Detail | 3.90 |

Ridge & Hip Details **Detail No.**

| | |
|-----------------------------------|------|
| Standard Ridge & Hip | 4.10 |
| Ridge Termination at Valley | 4.40 |
| Ridge & Hip Lap Detail | 4.90 |
| Ridge Cap Expansion Detail | 4.91 |

Peak Details **Detail No.**

| | |
|---|------|
| Peak Detail | 5.10 |
| Peak Detail with Vertical Flush Panel | 5.40 |

(Continued...)



SL175 Standing Seam -Rigid Insulation Over Metal Deck-

Index

High Wall & Low Wall Details **Detail No.**

| | |
|--|------|
| High Wall - Reglet | 6.10 |
| High Wall - Surface Mount | 6.12 |
| High Wall - Vertical Panel with Sill | 6.14 |
| High Wall - Parapet | 6.20 |
| Valley Wall Detail | 6.30 |
| High Wall Lap Detail | 6.90 |

Sidewall Details **Detail No.**

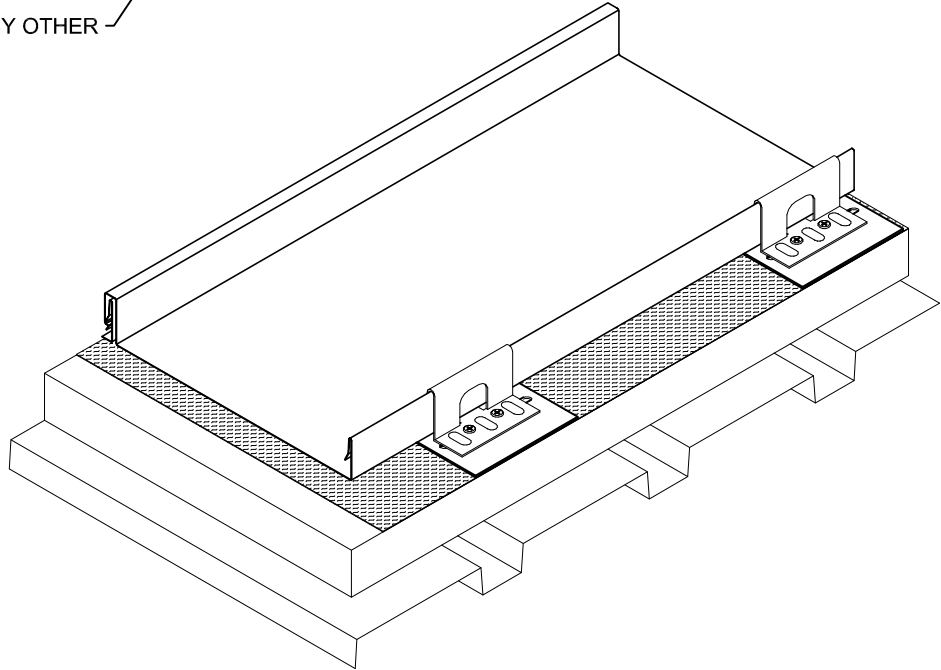
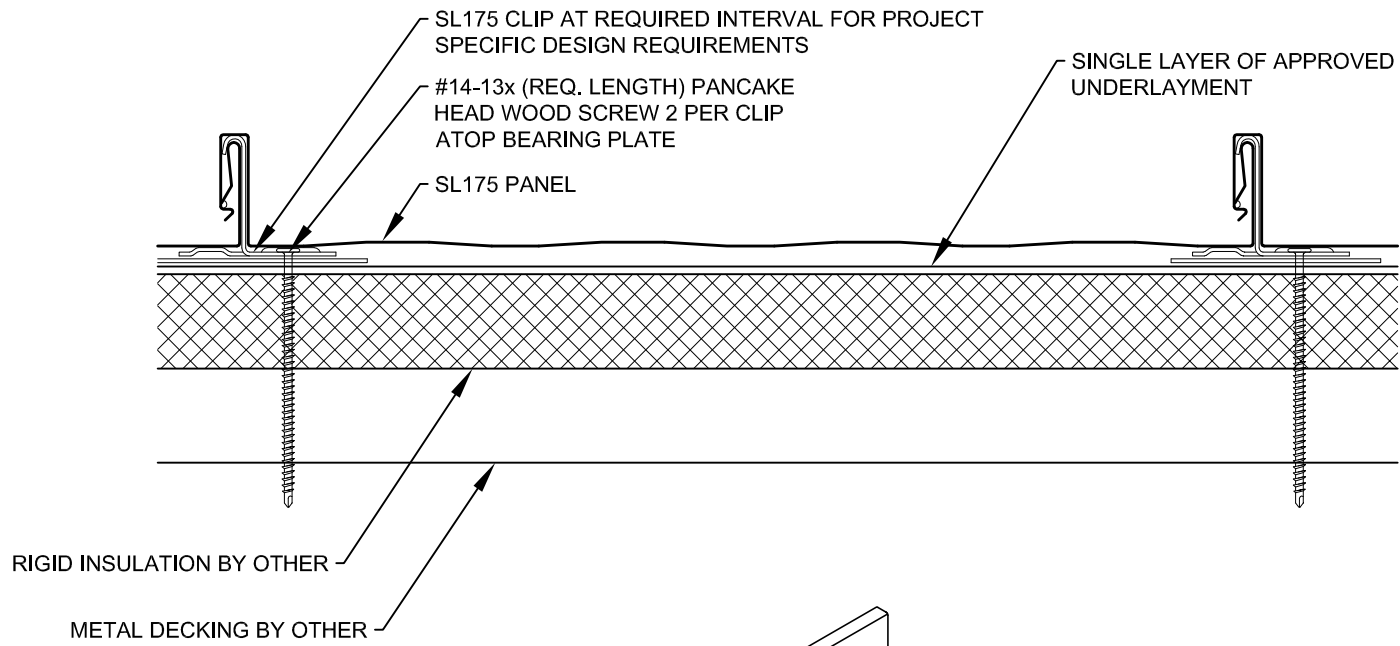
| | |
|---|------|
| Sidewall - Reglet with Subflashing Angle | 7.11 |
| Sidewall - Surface Mount with Subflashing Angle | 7.12 |
| Sidewall - Wood Framing & Siding with Subflashing Angle | 7.13 |
| Sidewall - Reglet with J-Channel Subflashing | 7.21 |
| Sidewall - Surface Mount with J-Channel Subflashing | 7.22 |
| Sidewall - Wood Framing & Siding with J-Channel Subflashing | 7.23 |
| Sidewall - Reglet with Zee Closure | 7.31 |
| Sidewall - Surface Mount with Zee Closure | 7.32 |
| Sidewall - Wood Framing & Siding with Zee Closure | 7.33 |
| Sidewall Expansion Joint | 7.40 |
| Expansion Joint Mid-Roof..... | 7.50 |
| Sidewall Lap Detail | 7.90 |

Slope Transition Details **Detail No.**

| | |
|--------------------------------------|------|
| Slope Transition | 8.10 |
| Transition at Membrane Roofing | 8.20 |

General Information Details **Detail No.**

| | |
|--|---------|
| Panel Hemming | 10.10 |
| End Lap Detail - Steep Slope | 10.15 |
| Zee Closure Installation | 10.20 |
| Pipe Penetration | 10.30 |
| Pipe Penetration Through Panel Rib | 10.31 |
| Curb at High Wall & Low Wall | 10.40 |
| Curb at Sidewall | 10.41 |
| Curb Installation Detail | CRB 1-6 |

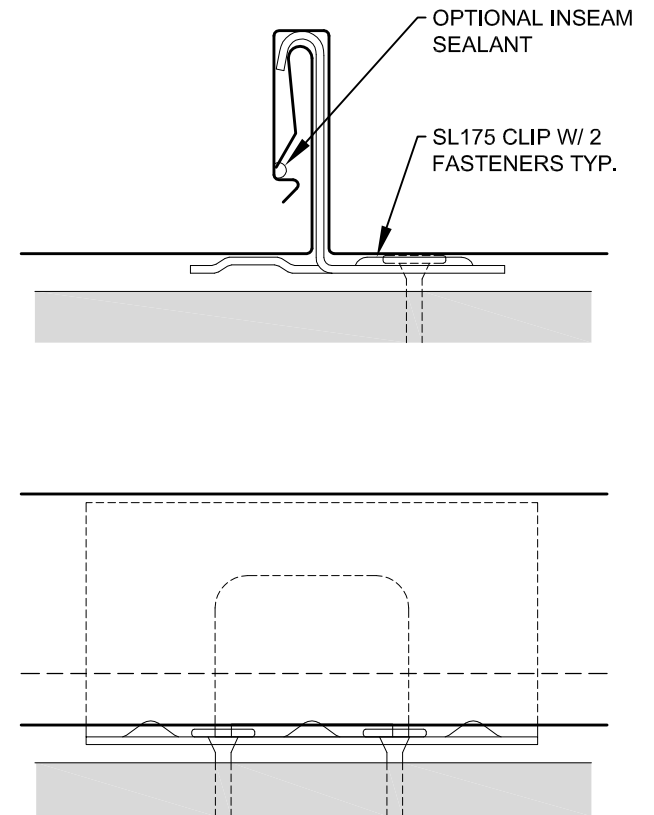
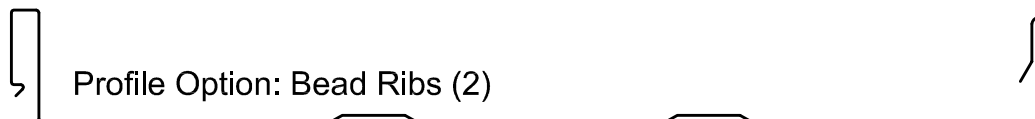
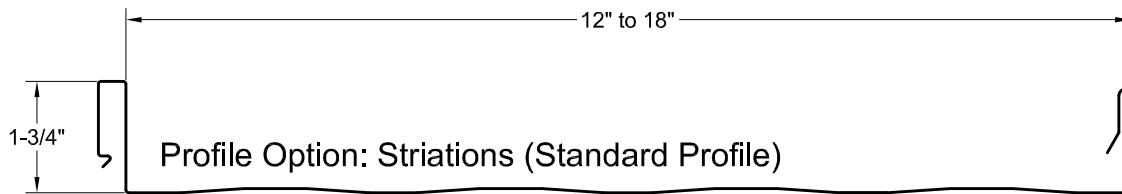


Description: **SL175 APPLICATION**

Detail No.: **SL175-MD-0.10**

Substrate: **RIGID INSULATION OVER METAL DECK**

Project Name:
Location:



Description: **SL175 SYSTEM OVERVIEW - PANEL PROFILES**

Detail No.: **SL175-0.20**

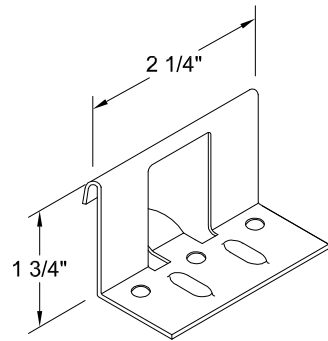
Substrate:

Project Name:

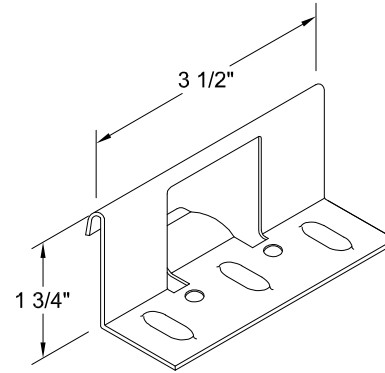
Location:

IMPORTANT INSTALLATION NOTE

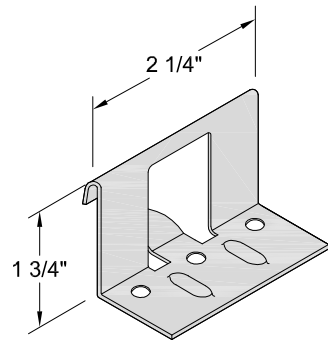
- SL175 CLIPS ALLOW FOR UNLIMITED THERMAL EXPANSION/CONTRACTION OF PANELS.
- "UL" CLIP TYPES MAY BE REQUIRED TO MEET SPECIFIC WIND UPLIFT TESTING.



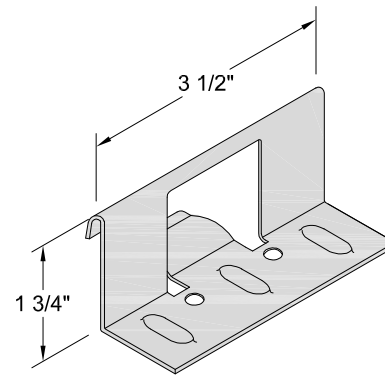
Clip 20
18 Ga. Galvanized
1.875" x 2.25"



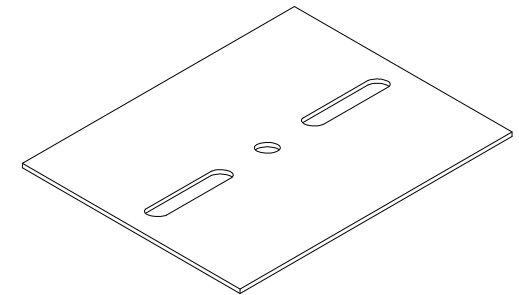
Clip 21 UL
18 Ga. Galvanized
1.875" x 3.5"



Clip 22
18 Ga. Stainless Steel
1.875" x 2.25"
Recommended for use with aluminum panels



Clip 23 UL
18 Ga. Stainless Steel
1.875" x 3.5"
Recommended for use with aluminum panels



4" x 5" Bearing Plate
16 Ga. Galvanized
Required for use when clips are applied directly over rigid board insulation



Description:

SL175 SYSTEM OVERVIEW - CLIPS

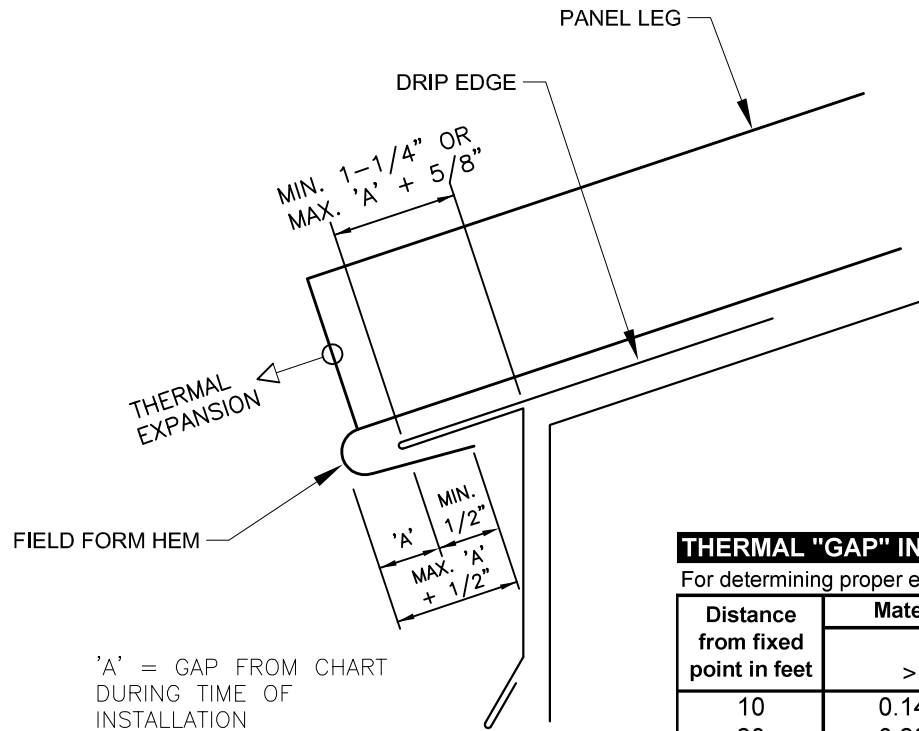
Detail No.:

SL175-0.21

Substrate:

Project Name:

Location:



THERMAL "GAP" INSTALLATION CHART (In inches) - STEEL

For determining proper expansion/contraction gap at panel ends during installation

| Distance from fixed point in feet | Material Temperature (Surface Temperature) During Installation | | | | | |
|-----------------------------------|--|--------|--------------------|------|-------------|------|
| | Hot >100° F | | Warm 100° to 50° F | | Cold <50° F | |
| 10 | 0.145 | 1/8 | 0.072 | 1/16 | 0.000 | 0 |
| 20 | 0.289 | 5/16 | 0.145 | 1/8 | 0.000 | 0 |
| 30 | 0.434 | 7/16 | 0.217 | 3/16 | 0.125 | 1/8 |
| 40 | 0.579 | 9/16 | 0.289 | 5/16 | 0.125 | 1/8 |
| 50 | 0.724 | 3/4 | 0.362 | 3/8 | 0.188 | 3/16 |
| 60 | 0.868 | 7/8 | 0.434 | 7/16 | 0.188 | 3/16 |
| 70 | 1.013 | 1 | 0.507 | 1/2 | 0.250 | 1/4 |
| 80 | 1.158 | 1 3/16 | 0.579 | 9/16 | 0.250 | 1/4 |
| 90 | 1.302 | 1 5/16 | 0.651 | 5/8 | 0.375 | 3/8 |
| 100 | 1.447 | 1 7/16 | 0.724 | 3/4 | 0.375 | 3/8 |

* Chart based on temperature differential of: 180 degrees F

* Coefficient of thermal expansion for steel: 0.0000067

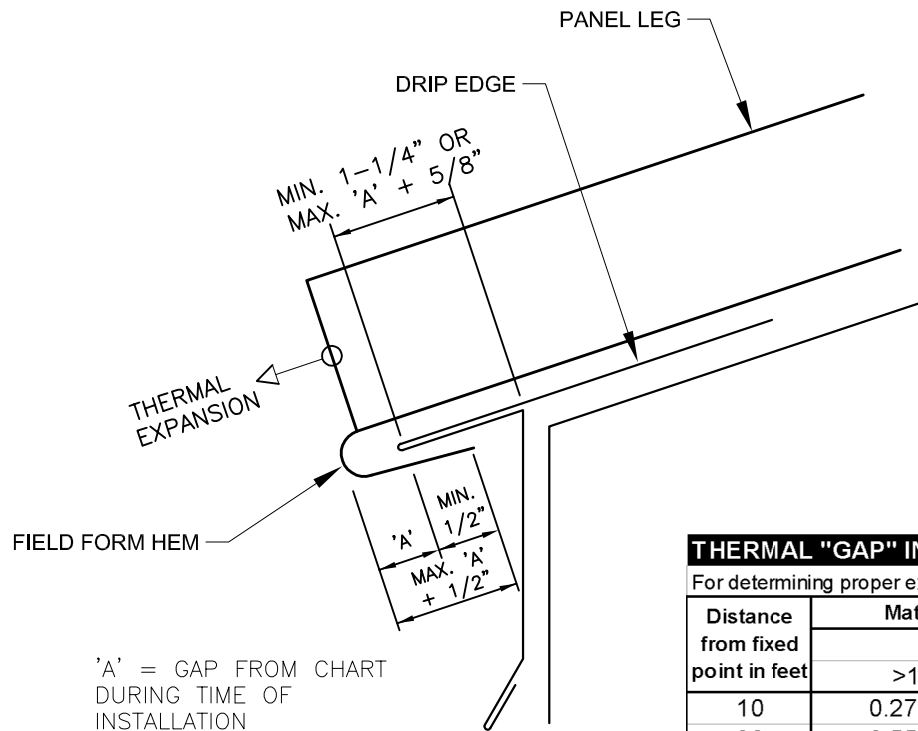


Description: **THERMAL GAP INSTALLATION CHART - STEEL**

Detail No.: **SL175-0.30**

Substrate:

Project Name:
Location:



THERMAL "GAP" INSTALLATION CHART (In inches) - ALUMINUM

For determining proper expansion/contraction gap at panel ends during installation

| Distance from fixed point in feet | Material Temperature (Surface Temperature) During Installation | | | | | |
|-----------------------------------|--|---------|---------------|-------|--------|------|
| | Hot | | Warm | | Cold | |
| | >100° F | | 100° to 50° F | | <50° F | |
| 10 | 0.279 | 1/4 | 0.139 | 1/8 | 0.000 | 0 |
| 20 | 0.557 | 9/16 | 0.279 | 1/4 | 0.000 | 0 |
| 30 | 0.836 | 13/16 | 0.418 | 7/13 | 0.125 | 1/8 |
| 40 | 1.115 | 1 1/8 | 0.557 | 9/13 | 0.125 | 1/8 |
| 50 | 1.393 | 1 3/8 | 0.697 | 11/13 | 0.188 | 3/16 |
| 60 | 1.672 | 1 11/16 | 0.836 | 13/13 | 0.188 | 3/16 |
| 70 | 1.950 | 1 15/16 | 0.975 | 1 | 0.250 | 1/4 |
| 80 | 2.229 | 2 1/4 | 1.115 | 1 1/8 | 0.250 | 1/4 |
| 90 | 2.508 | 2 1/2 | 1.254 | 1 1/4 | 0.375 | 3/8 |
| 100 | 2.786 | 2 13/16 | 1.393 | 1 3/8 | 0.375 | 3/8 |

* Chart based on temperature differential of: 180 degrees F

* Coefficient of thermal expansion for alum.: 0.0000129



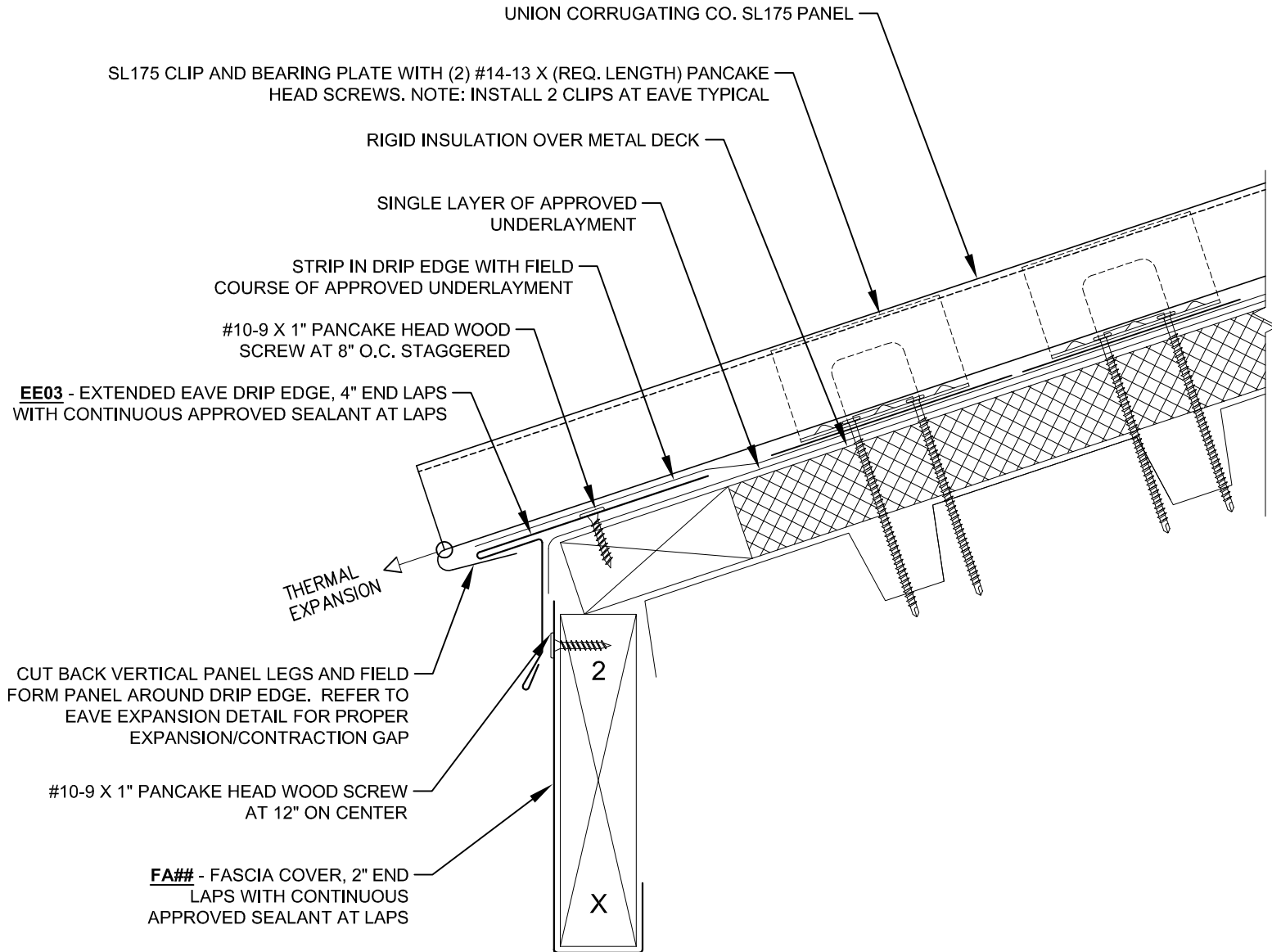
Description: THERMAL GAP INSTALLATION CHART - ALUMINUM

Detail No.: SL175-0.31

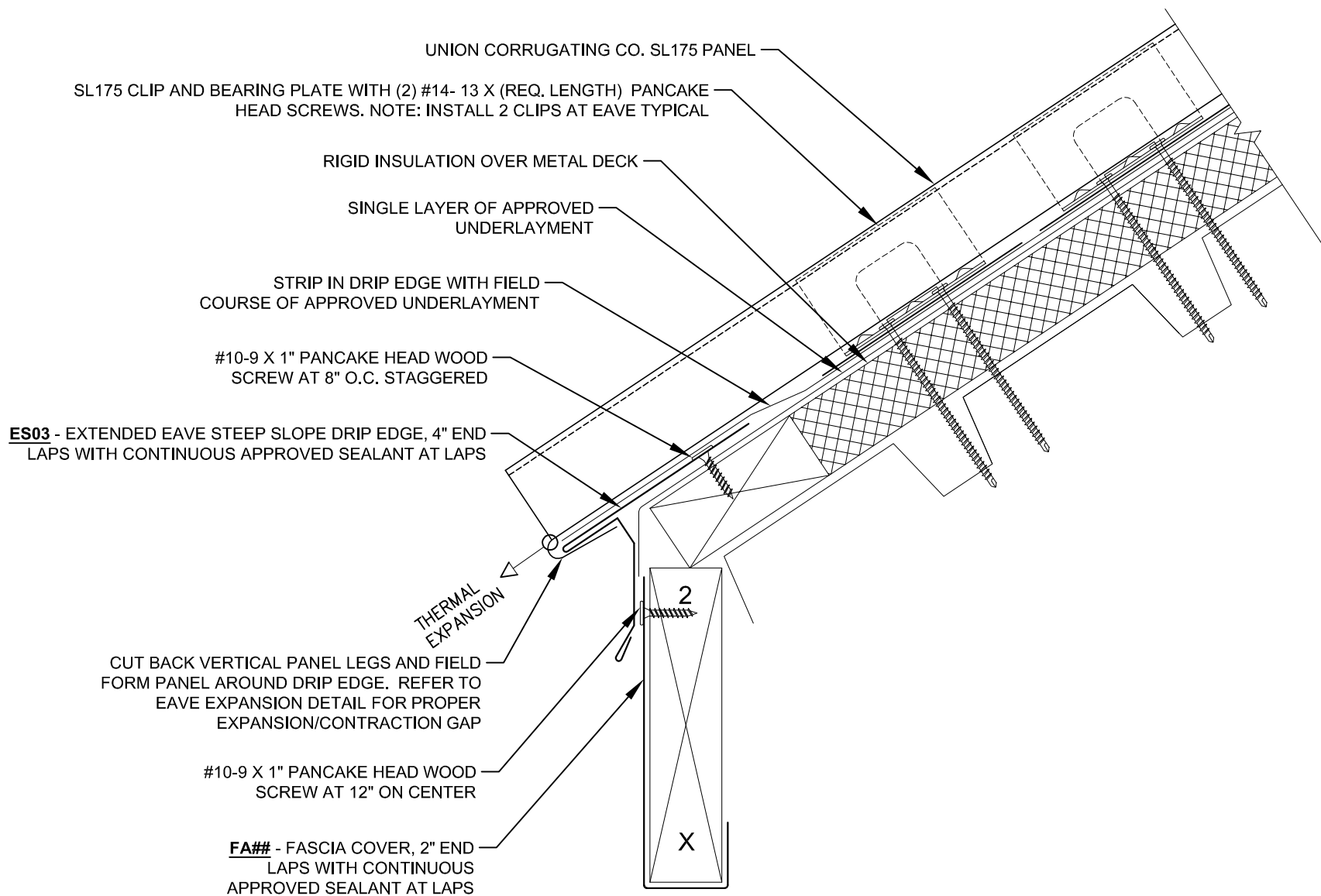
Substrate:

Project Name:

Location:



| | | | |
|--------------|----------------------------------|--|---------------|
| Description: | EXTENDED EAVE | | Detail No.: |
| | RIGID INSULATION OVER METAL DECK | | SL175-MD-1.10 |
| Substrate: | Project Name: | | Location: |



Description:

EXTENDED EAVE - STEEP SLOPE

Detail No.:

SL175-MD-1.10A

Substrate:

RIGID INSULATION OVER METAL DECK

Project Name:

Location:

UNION CORRUGATING CO. SL175 PANEL

SL175 CLIP AND BEARING PLATE WITH (2) #14-13 X (REQ. LENGTH) PANCAKE HEAD SCREWS. NOTE: INSTALL 2 CLIPS AT EAVE TYPICAL

RIGID INSULATION OVER METAL DECK

SINGLE LAYER OF APPROVED UNDERLAYMENT

STRIP IN DRIP EDGE WITH FIELD COURSE OF APPROVED UNDERLAYMENT

#10-9 X 1" PANCAKE HEAD WOOD SCREW AT 8" O.C. STAGGERED

EE02 - EXTENDED EAVE DRIP EDGE, 4" END LAPS WITH CONTINUOUS APPROVED SEALANT AT LAPS

CUT BACK VERTICAL PANEL LEGS AND FIELD FORM PANEL AROUND DRIP EDGE. REFER TO EAVE EXPANSION DETAIL FOR PROPER EXPANSION/CONTRACTION GAP

THERMAL EXPANSION

18 GA. GALVANIZED STEEL HIDDEN HANGER AT 24" ON CENTER

GT07 - 7" GUTTER, LAP AND SEAL CONTINUOUS WITH 2 ROWS OF APPROVED SEALANT. RIVET AT LAPS 2" ON CENTER.

FA## - FASCIA COVER, 2" END LAPS WITH CONTINUOUS APPROVED SEALANT AT LAPS



Description:

EXTENDED EAVE WITH GUTTER

Detail No.:

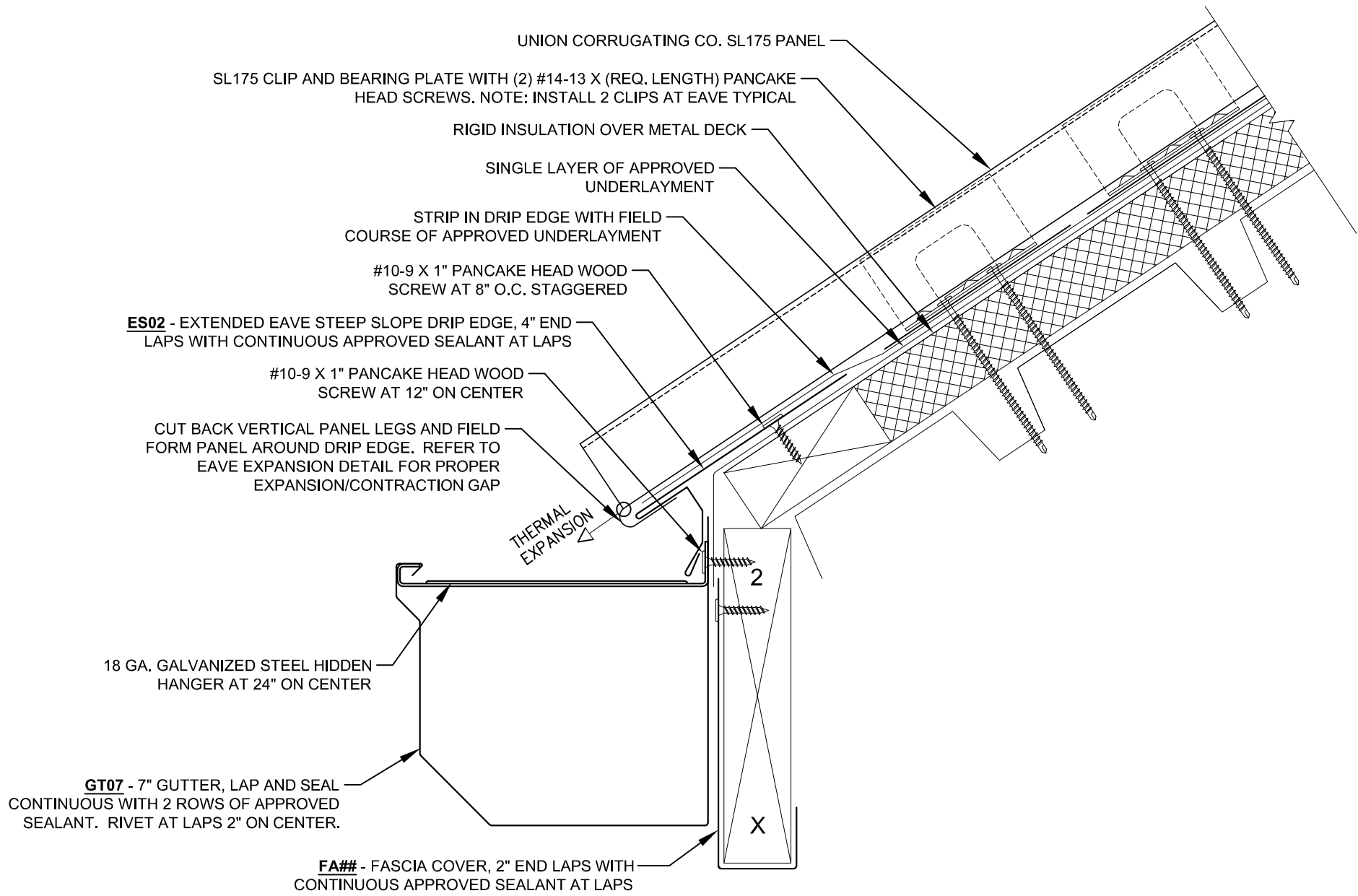
SL175-MD-1.20

Substrate:

RIGID INSULATION OVER METAL DECK

Project Name:

Location:

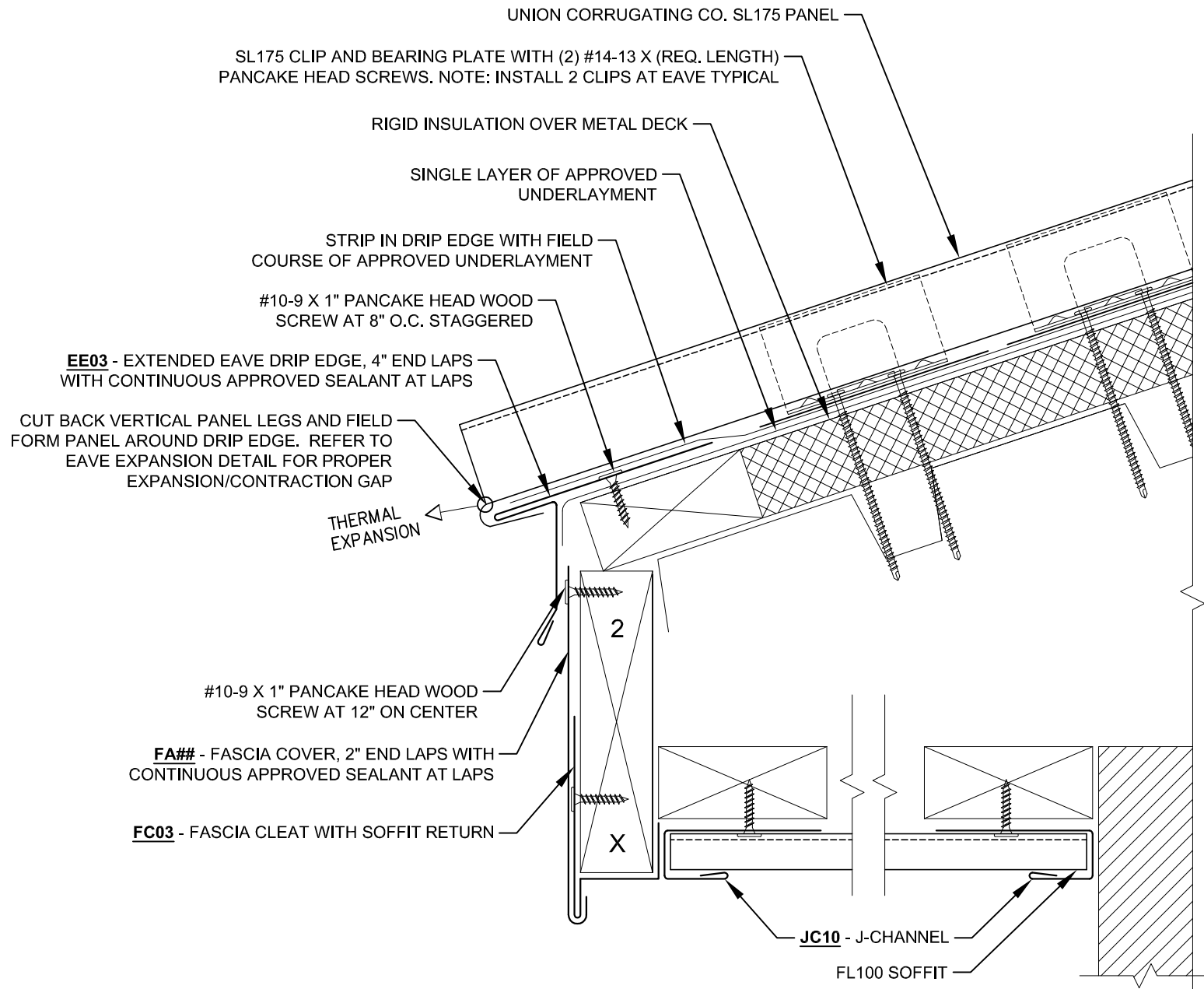


Description: **EXTENDED EAVE W/ GUTTER- STEEP SLOPE**

Substrate: **RIGID INSULATION OVER METAL DECK**

Detail No.: **SL175-MD-1.20A**

Project Name:
Location:



Description:

EXTENDED EAVE WITH SOFFIT

Detail No.:

SL175-MD-1.30

Substrate:

RIGID INSULATION OVER METAL DECK

Project Name:

Location:

UNION CORRUGATING CO. SL175 PANEL

SL175 CLIP AND BEARING PLATE WITH (2) #14-13 X (REQ. LENGTH) PANCAKE HEAD SCREWS. NOTE: INSTALL 2 CLIPS AT EAVE TYPICAL

RIGID INSULATION OVER METAL DECK

SINGLE LAYER OF APPROVED UNDERLAYMENT

STRIP IN DRIP EDGE WITH FIELD COURSE OF APPROVED UNDERLAYMENT

#10-9 X 1" PANCAKE HEAD WOOD SCREW AT 8" O.C. STAGGERED

EE02 - EXTENDED EAVE DRIP EDGE, 4" END LAPS WITH CONTINUOUS APPROVED SEALANT AT LAPS

CUT BACK VERTICAL PANEL LEGS AND FIELD FORM PANEL AROUND DRIP EDGE. REFER TO EAVE EXPANSION DETAIL FOR PROPER EXPANSION/CONTRACTION GAP

THERMAL EXPANSION

18 GA. GALVANIZED STEEL HIDDEN HANGER AT 24" ON CENTER

GT07 - 7" GUTTER, LAP AND SEAL CONTINUOUS WITH 2 ROWS OF APPROVED SEALANT. RIVET AT LAPS 2" ON CENTER.

FA## - FASCIA COVER, 2" END LAPS WITH CONTINUOUS APPROVED SEALANT AT LAPS

FC03 - FASCIA CLEAT WITH SOFFIT RETURN

JC10 - J-CHANNEL

FL100 SOFFIT



Description:

EXTENDED EAVE WITH SOFFIT & GUTTER

Detail No.:

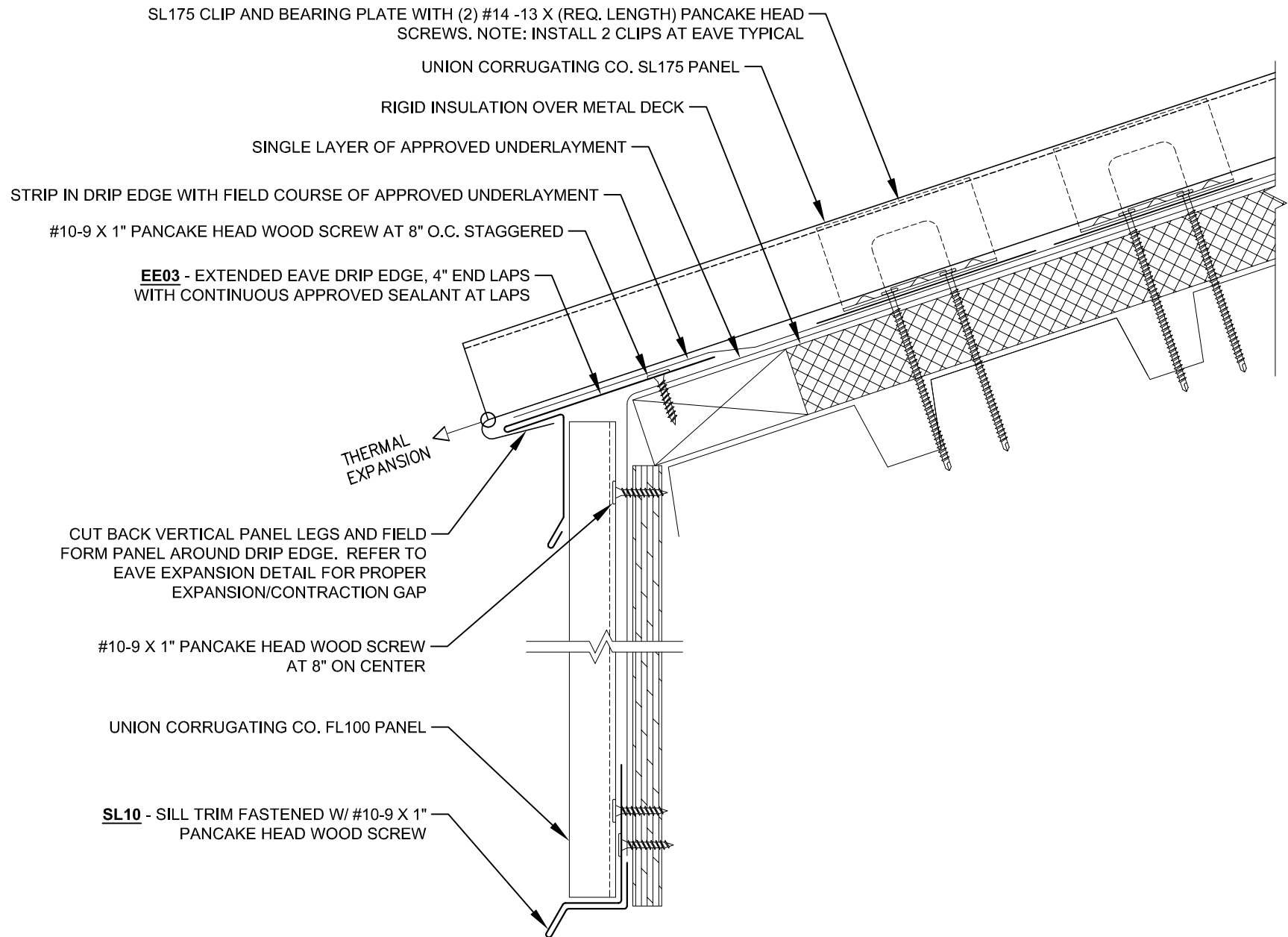
SL175-MD-1.40

Substrate:

RIGID INSULATION OVER METAL DECK

Project Name:

Location:

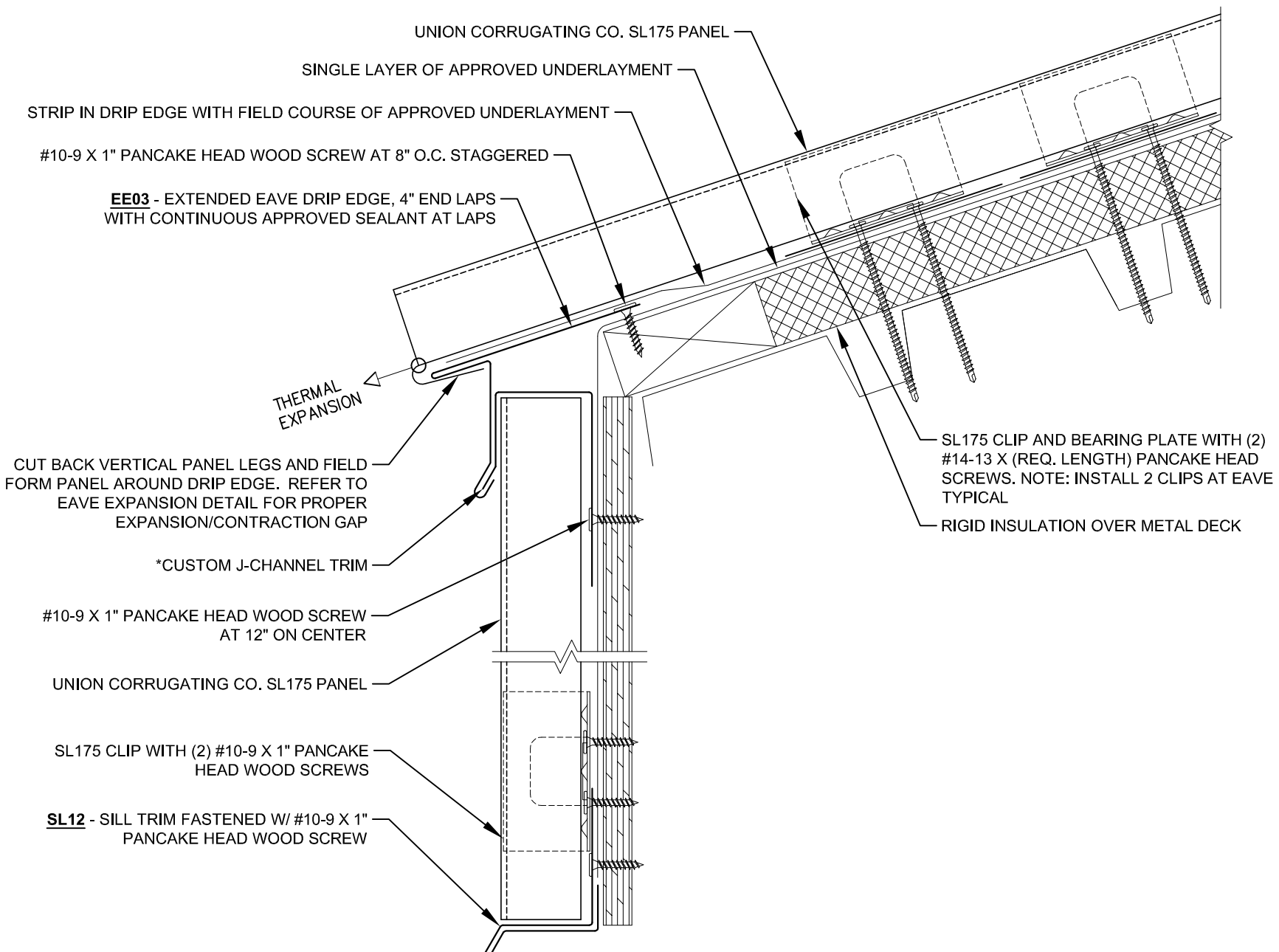


Description: **EXTENDED EAVE W/ VERTICAL FLUSH PANEL**

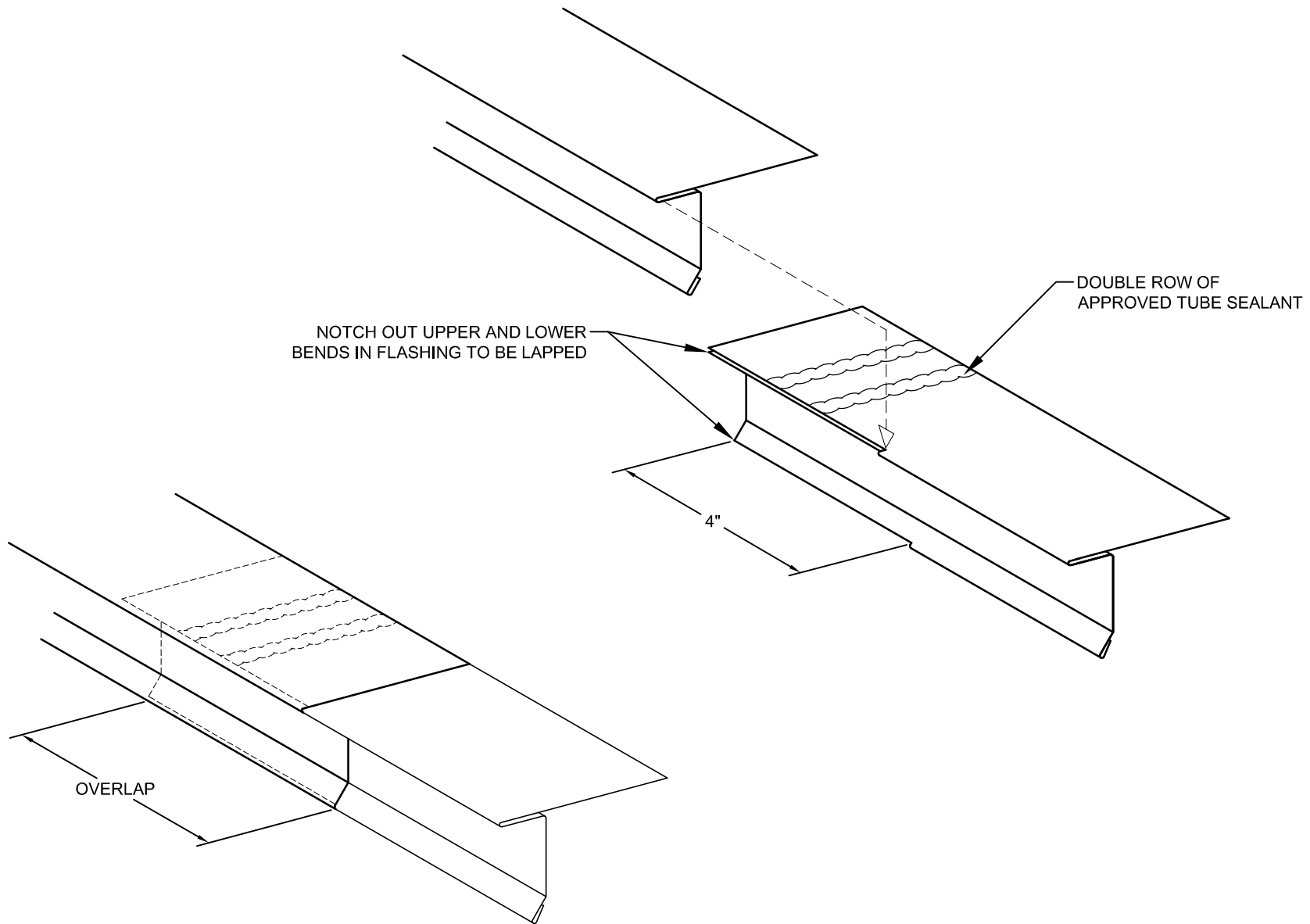
Detail No.: **SL175-MD-1.50**

Substrate: **RIGID INSULATION OVER METAL DECK**

Project Name:
Location:



| | | | |
|--------------|---|---|-------------------------------------|
| Description: | EXT. EAVE W/ VERTICAL STANDING SEAM PANELS | | Detail No.: SL175-MD-1.60 |
| | Substrate: | RIGID INSULATION OVER METAL DECK | |



Description:

DRIP EDGE LAP DETAIL

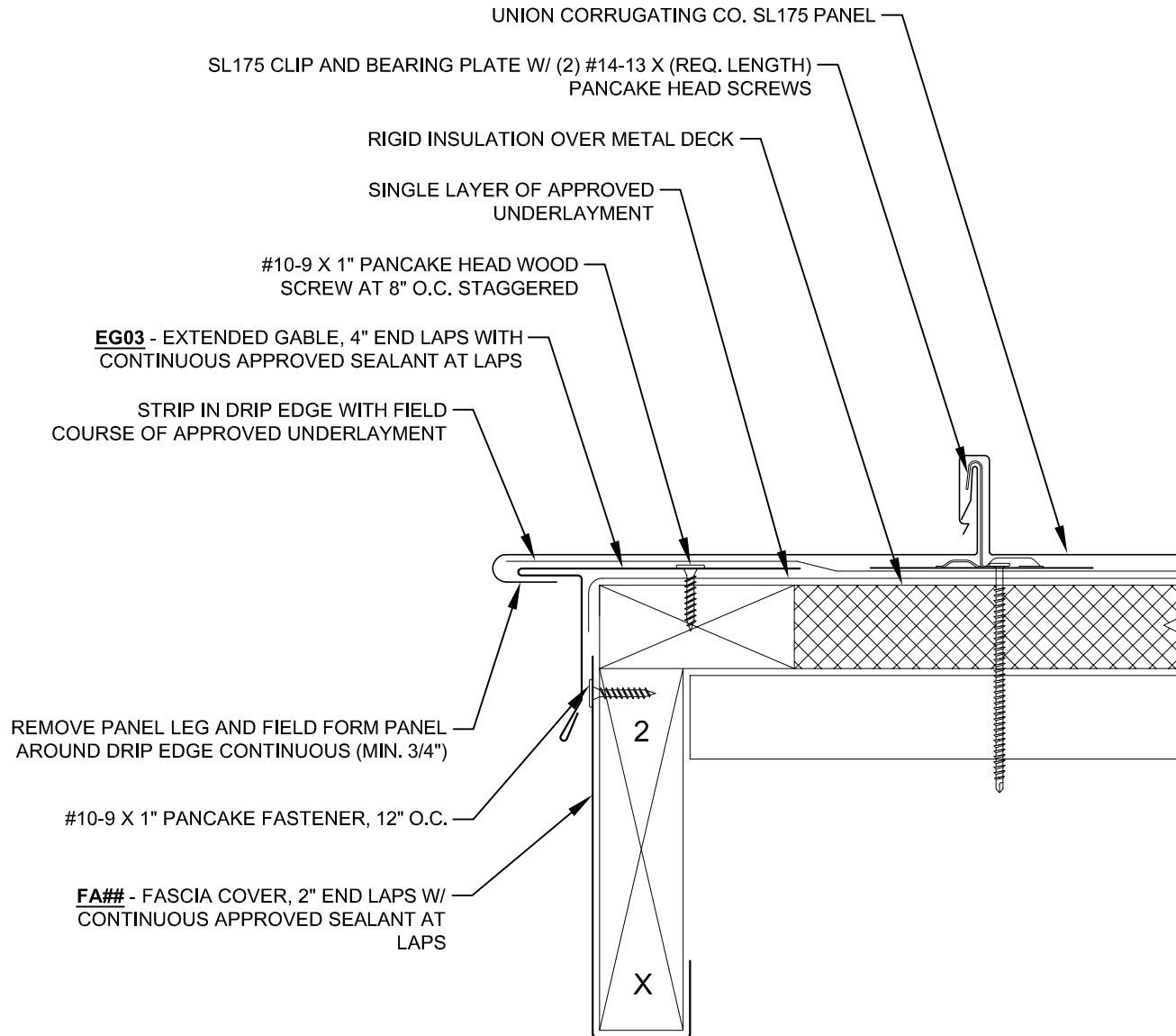
Detail No.:

SL175-1.90

Substrate:

Project Name:

Location:



Description:

GABLE DETAIL - EXTENDED DRIP STYLE

Detail No.:

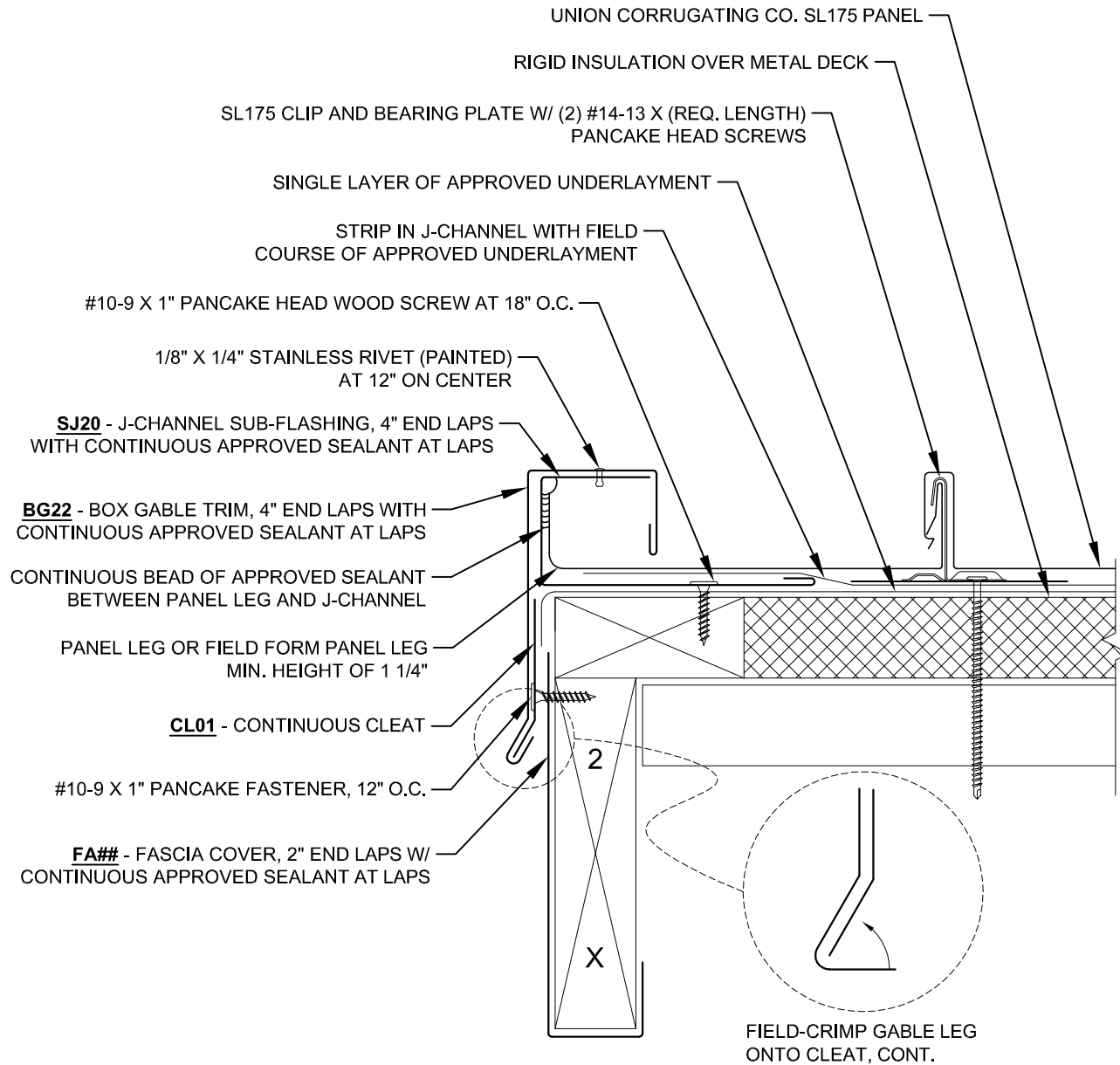
SL175-MD-2.10

Substrate:

RIGID INSULATION OVER METAL DECK

Project Name:

Location:



Description:

GABLE DETAIL - BOX STYLE

Detail No.:

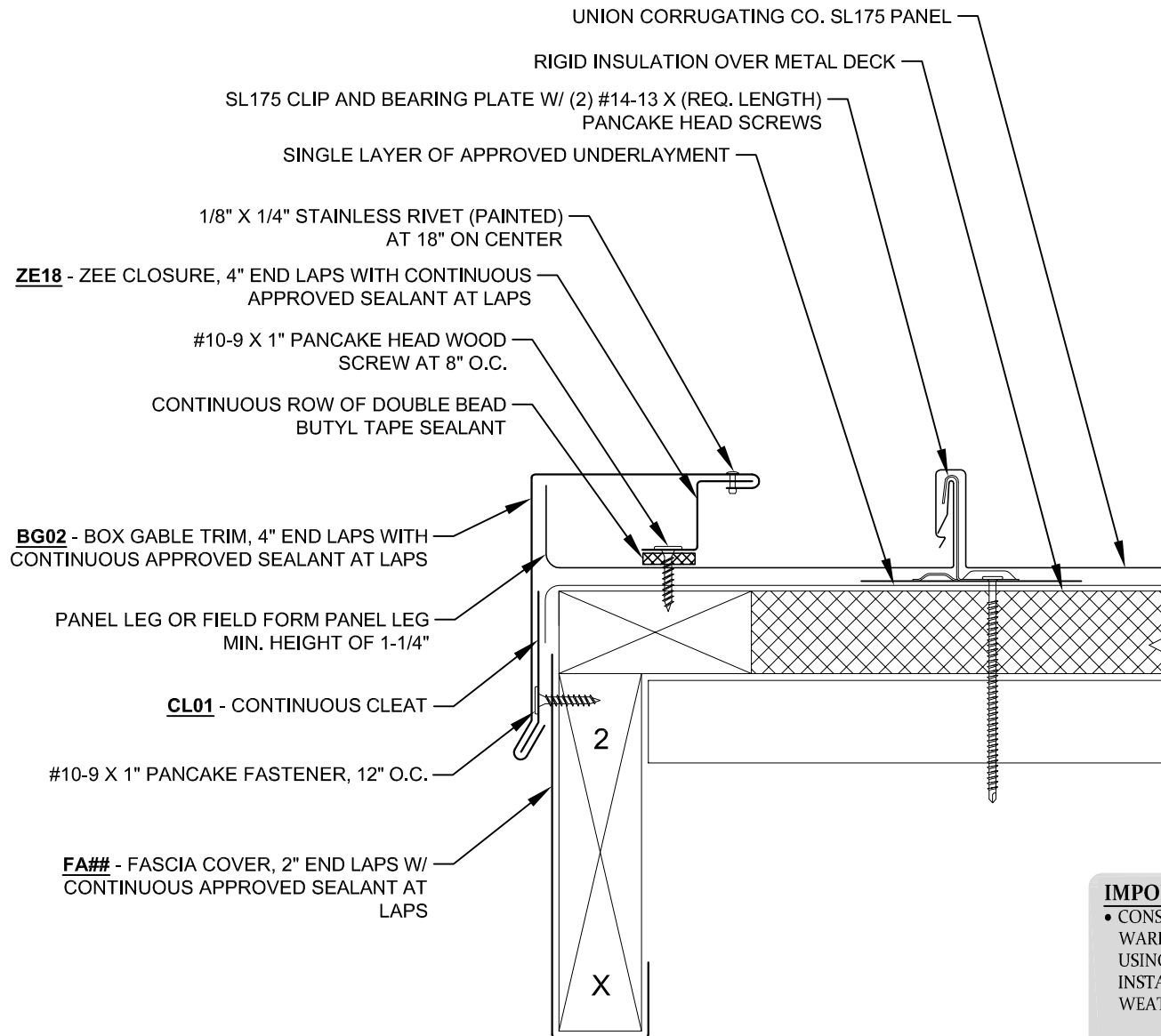
SL175-MD-2.20

Substrate:

RIGID INSULATION OVER METAL DECK

Project Name:

Location:



IMPORTANT INSTALLATION NOTE

- CONSULT UNION CORRUGATING CO. WARRANTY DEPARTMENT BEFORE USING THIS DETAIL WHEN INSTALLATION REQUIRES WEATHERTIGHTNESS WARRANTY.
- THIS DETAIL NOT TO BE USED WITH PANEL LENGTHS GREATER THAN 30'-0".

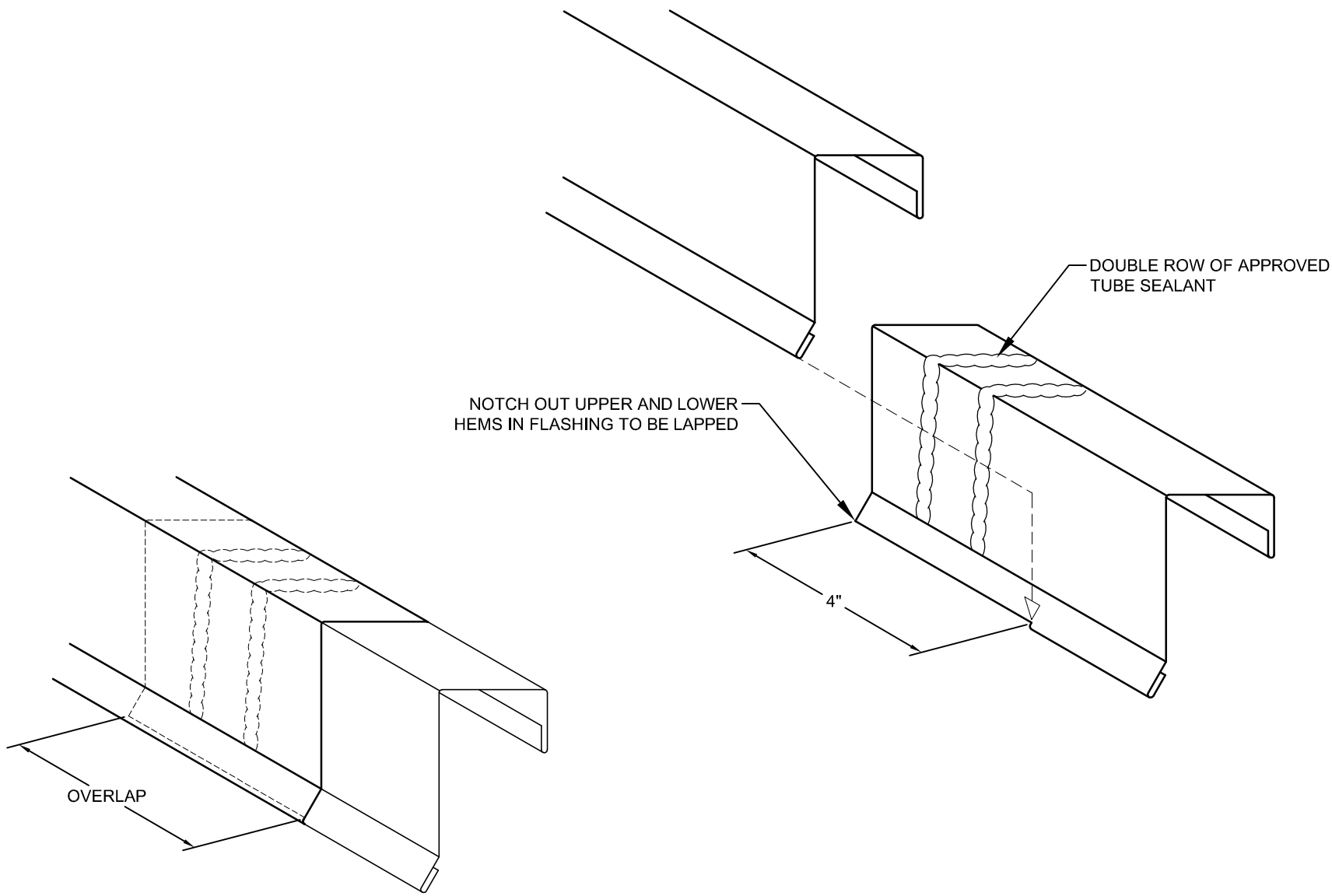


Description: **GABLE DETAIL - BOX STYLE W/ Z-CLOSURE**

Detail No.: **SL175-MD-2.30**

Substrate: **RIGID INSULATION OVER METAL DECK**

Project Name:
Location:



Description:

BOX GABLE LAP DETAIL

Detail No.:

SL175-2.90

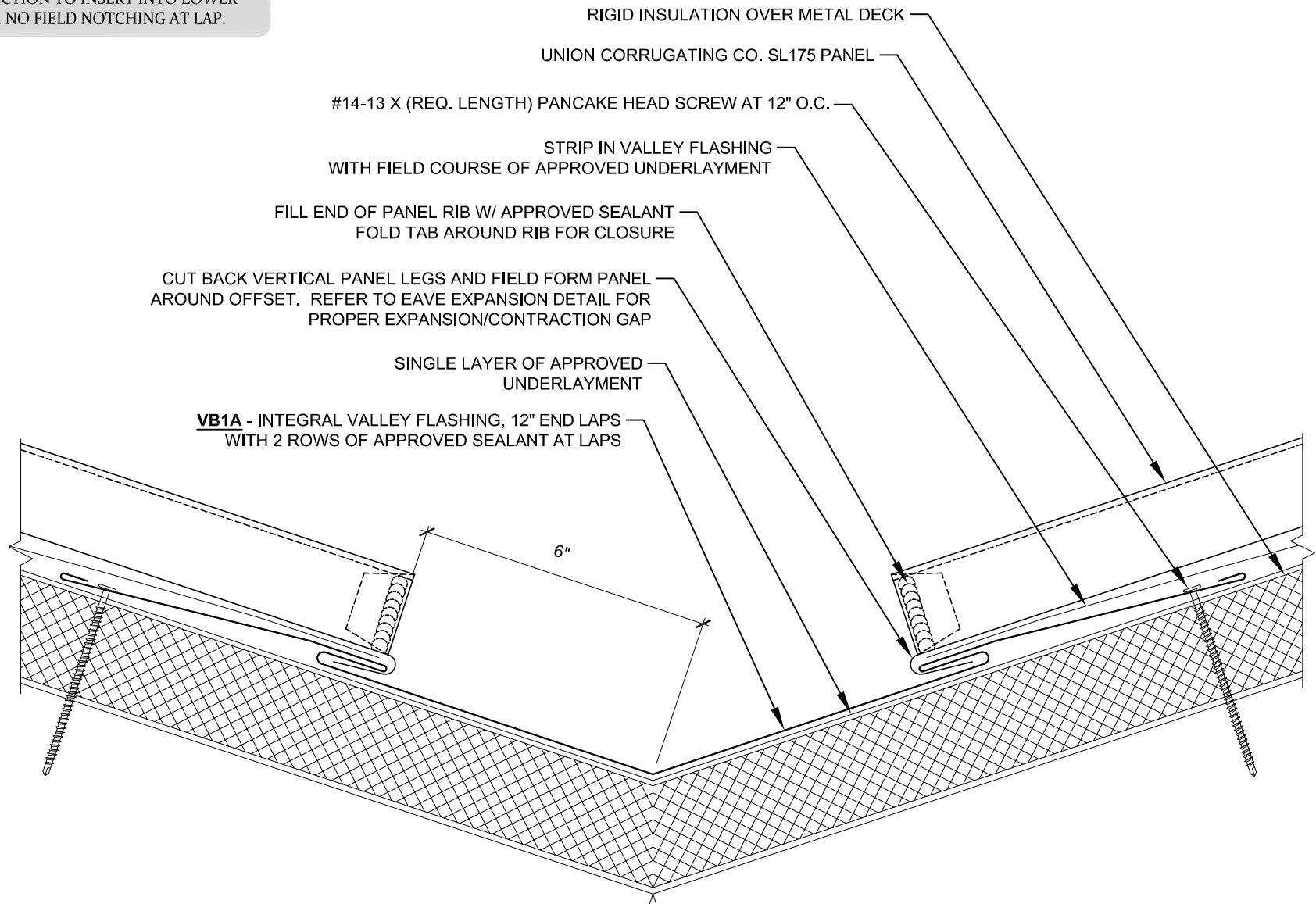
Substrate:

Project Name:

Location:

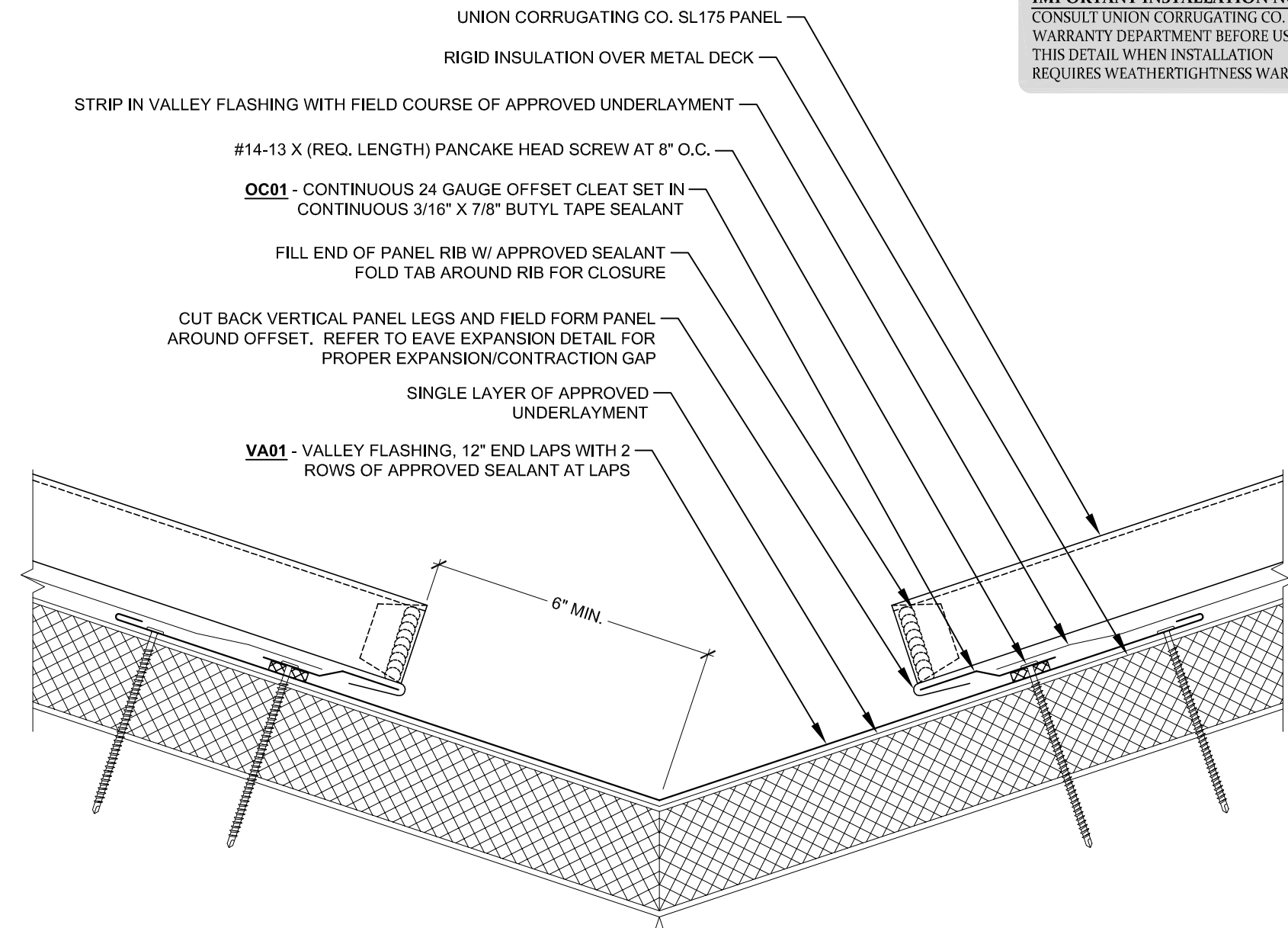
IMPORTANT INSTALLATION NOTE

EACH VALLEY SECTION IS MADE PROGRESSIVELY SMALLER TO ALLOW UPPER SECTION TO INSERT INTO LOWER SECTION. NO FIELD NOTCHING AT LAP.



| | | | |
|--------------|---|---------------|----------------------|
| Description: | VALLEY DETAIL - INTEGRAL CLEAT | Detail No.: | SL175-MD-3.10 |
| Substrate: | RIGID INSULATION OVER METAL DECK | Project Name: | |
| | | Location: | |

IMPORTANT INSTALLATION NOTE
 CONSULT UNION CORRUGATING CO.
 WARRANTY DEPARTMENT BEFORE USING
 THIS DETAIL WHEN INSTALLATION
 REQUIRES WEATHERTIGHTNESS WARRANTY.



UNION CORRUGATING CO. SL175 PANEL

RIGID INSULATION OVER METAL DECK

STRIP IN VALLEY FLASHING WITH FIELD COURSE OF APPROVED UNDERLAYMENT

#14-13 X (REQ. LENGTH) PANCAKE HEAD SCREW AT 8" O.C.

OC01 - CONTINUOUS 24 GAUGE OFFSET CLEAT SET IN CONTINUOUS 3/16" X 7/8" BUTYL TAPE SEALANT

FILL END OF PANEL RIB W/ APPROVED SEALANT FOLD TAB AROUND RIB FOR CLOSURE

CUT BACK VERTICAL PANEL LEGS AND FIELD FORM PANEL AROUND OFFSET. REFER TO EAVE EXPANSION DETAIL FOR PROPER EXPANSION/CONTRACTION GAP

SINGLE LAYER OF APPROVED UNDERLAYMENT

VA01 - VALLEY FLASHING, 12" END LAPS WITH 2 ROWS OF APPROVED SEALANT AT LAPS

6" MIN.

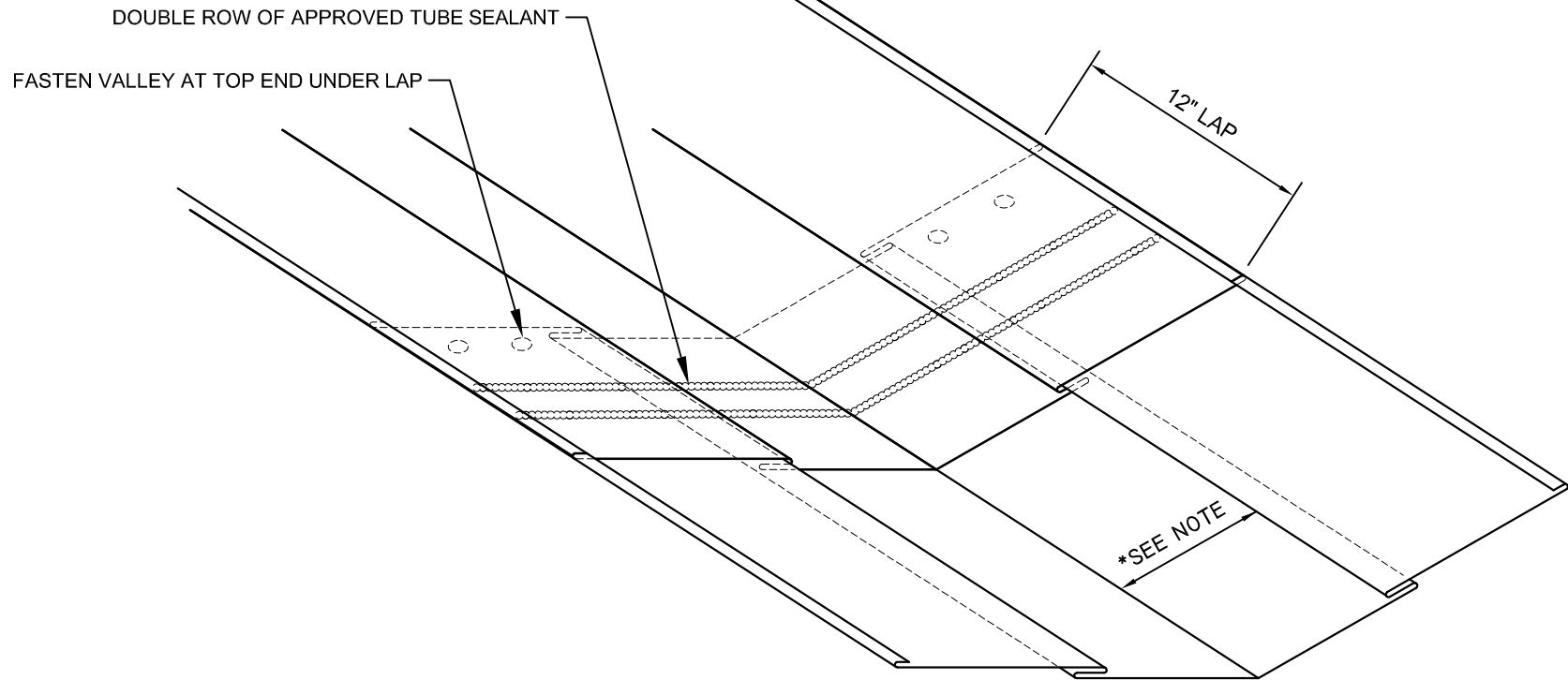


Description: **VALLEY - WITH OFFSET CLEAT**

Detail No.: **SL175-MD-3.20**

Substrate: **RIGID INSULATION OVER METAL DECK**

Project Name:
 Location:



TELESCOPING VALLEY FLASHING LAP

IMPORTANT INSTALLATION NOTE

EACH VALLEY SECTION IS MADE PROGRESSIVELY SMALLER TO ALLOW UPPER SECTION TO INSERT INTO LOWER SECTION. NO FIELD NOTCHING AT LAP.



Description:

VALLEY LAP DETAIL

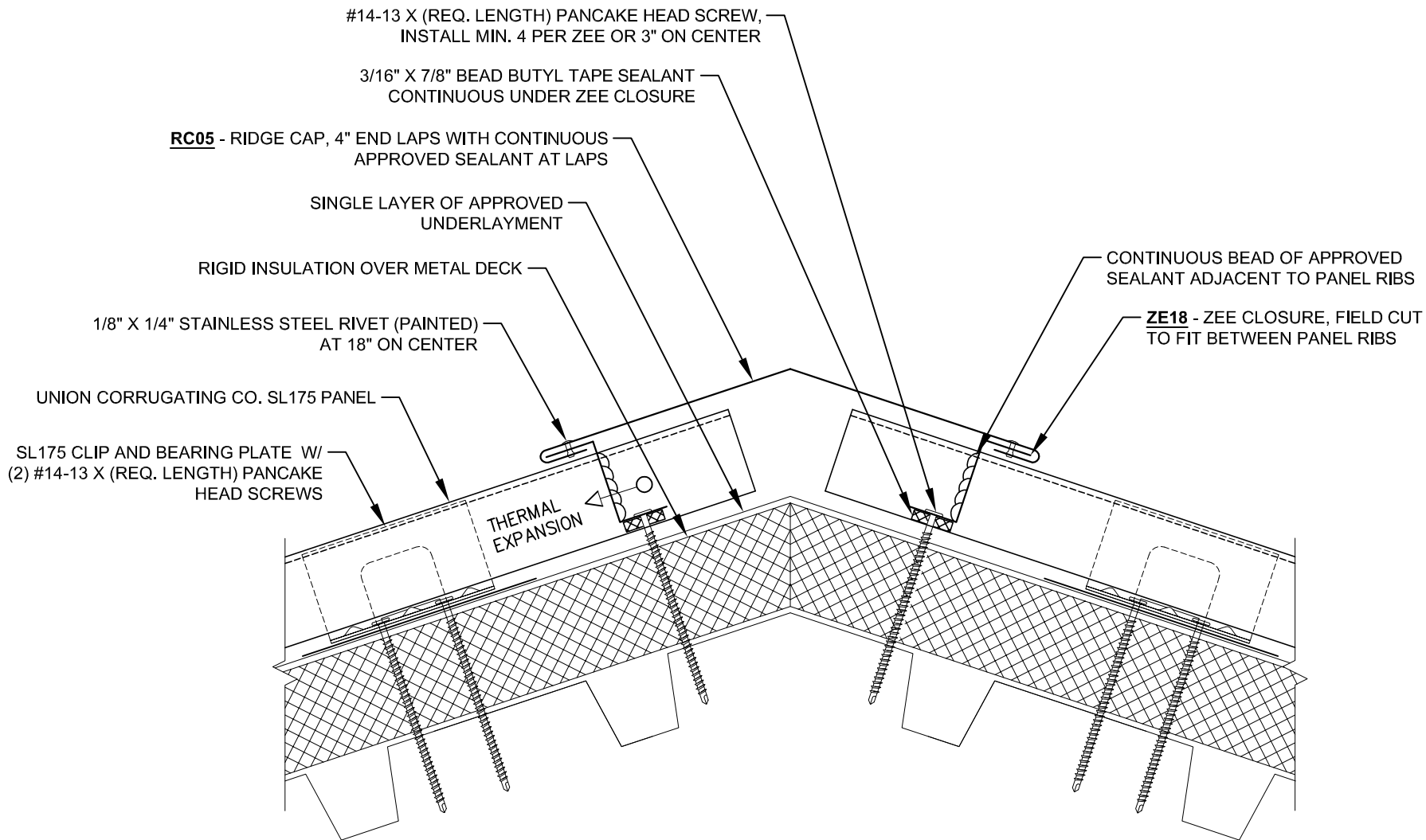
Detail No.:

SL175-3.90

Substrate:

Project Name:

Location:



Description:

HIP AND RIDGE DETAIL

Detail No.:

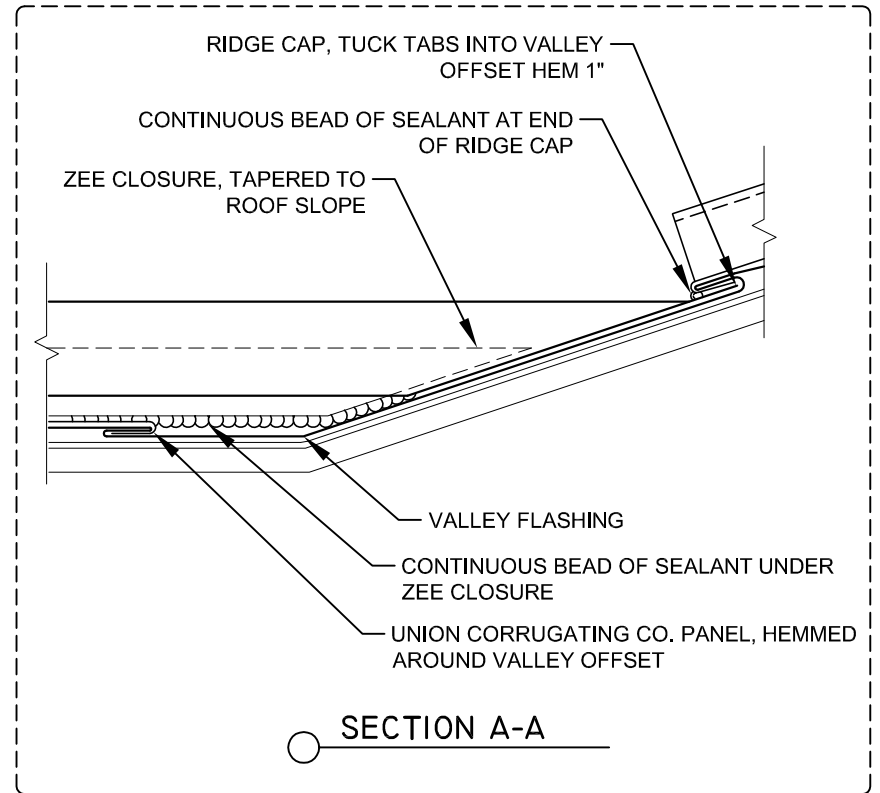
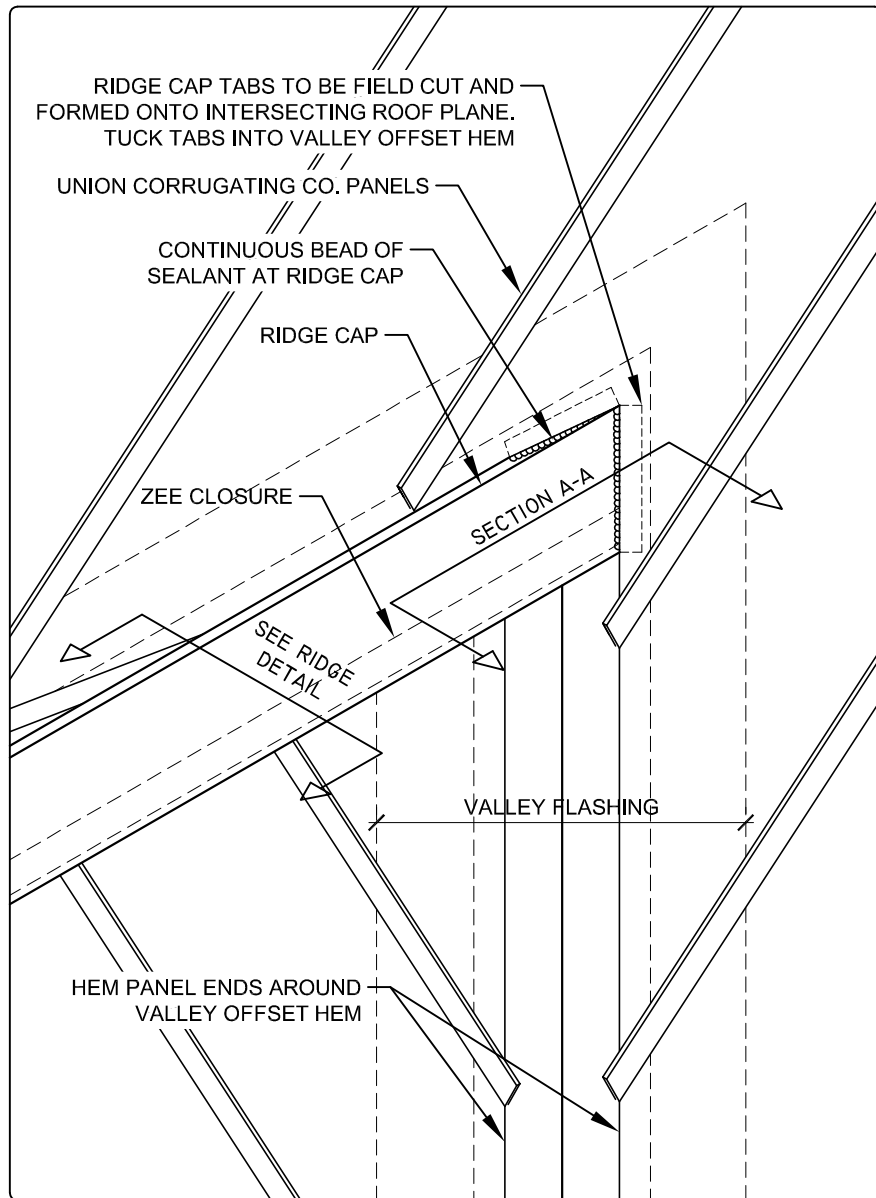
SL175-MD-4.10

Substrate:

RIGID INSULATION OVER METAL DECK

Project Name:

Location:



Description:

RIDGE TERMINATION @ VALLEY

Detail No.:

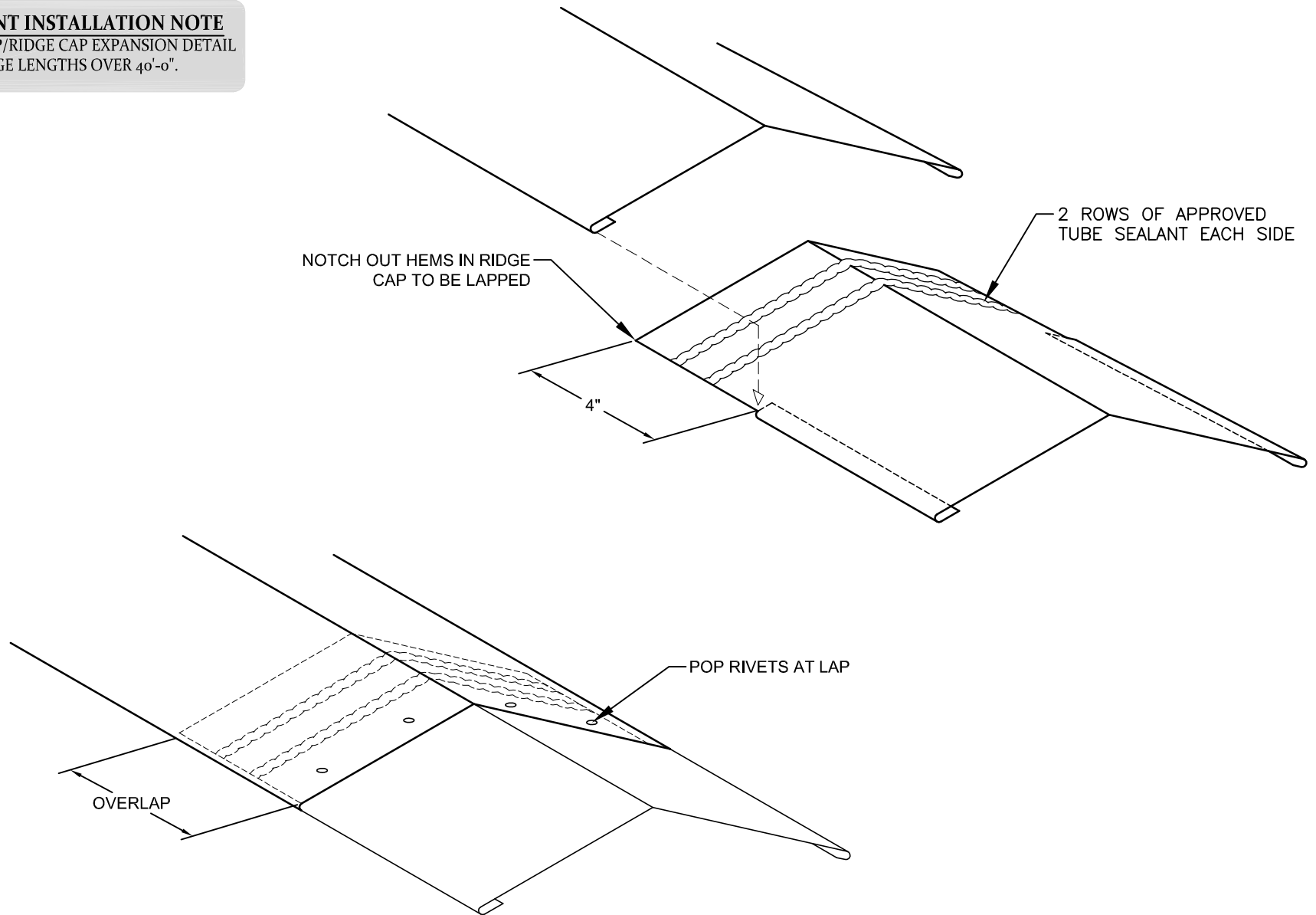
SL175-4.40

Substrate:

Project Name:

Location:

IMPORTANT INSTALLATION NOTE
REFER TO HIP/RIDGE CAP EXPANSION DETAIL
FOR HIP/RIDGE LENGTHS OVER 40'-0".



Description:

HIP & RIDGE CAP LAP DETAIL

Detail No.:

SL175-4.90

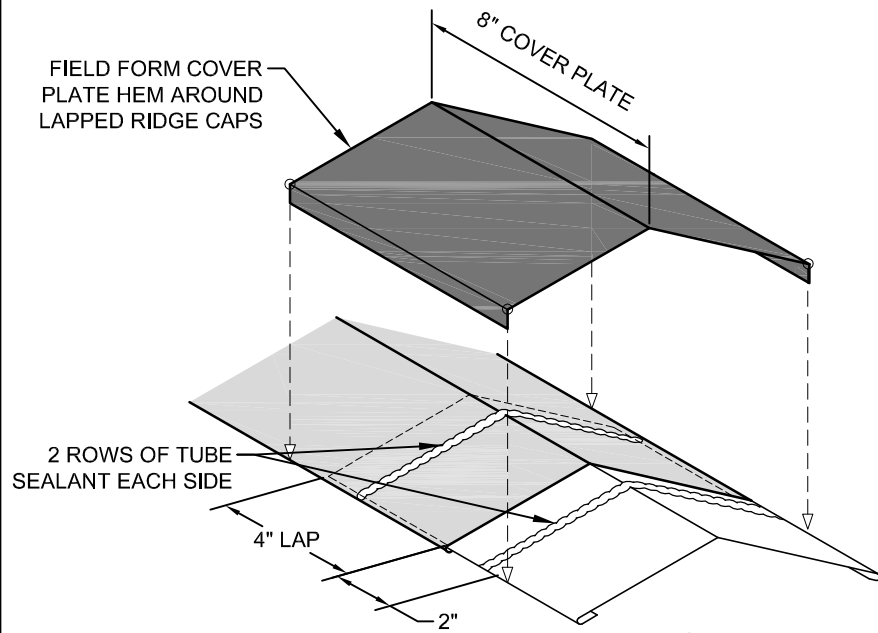
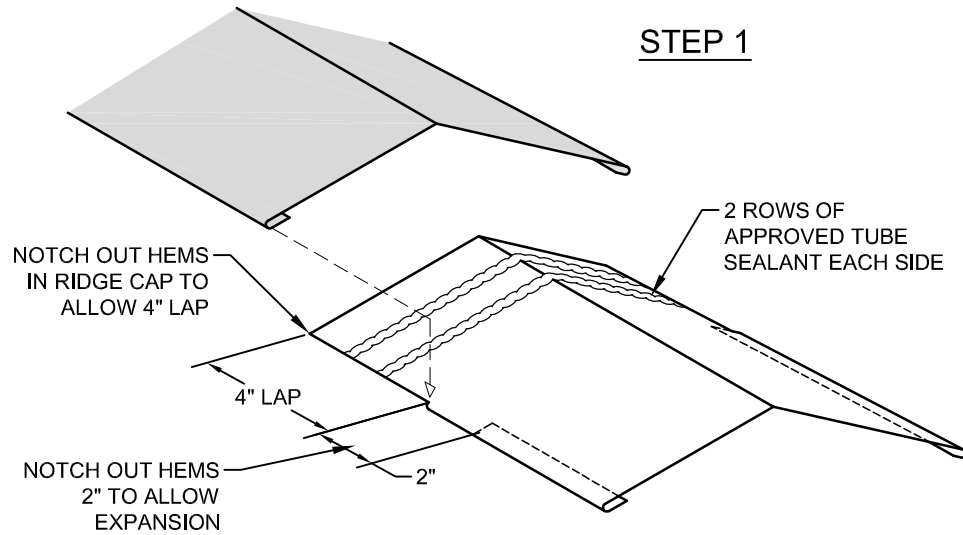
Substrate:

Project Name:

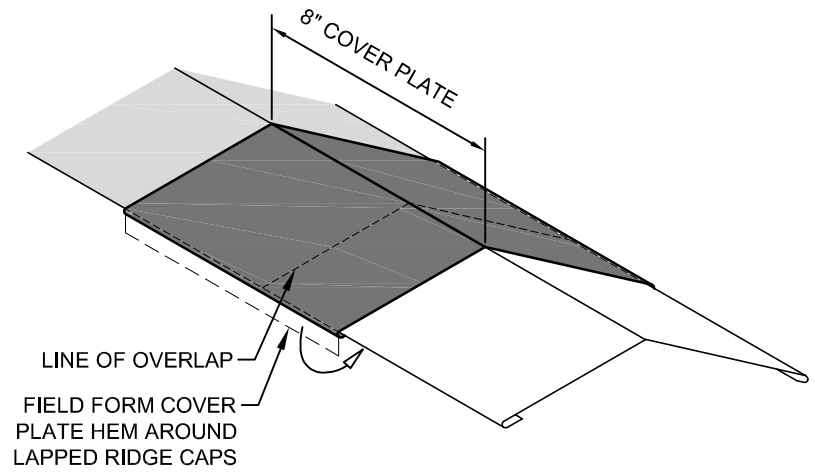
Location:

STEP 1

IMPORTANT INSTALLATION NOTE
 USE AT EVERY 40'0" OF CONTINUOUS RIDGE.
 DO NOT POP RIVET LAPPED FLASHING.



STEP 2



STEP 3

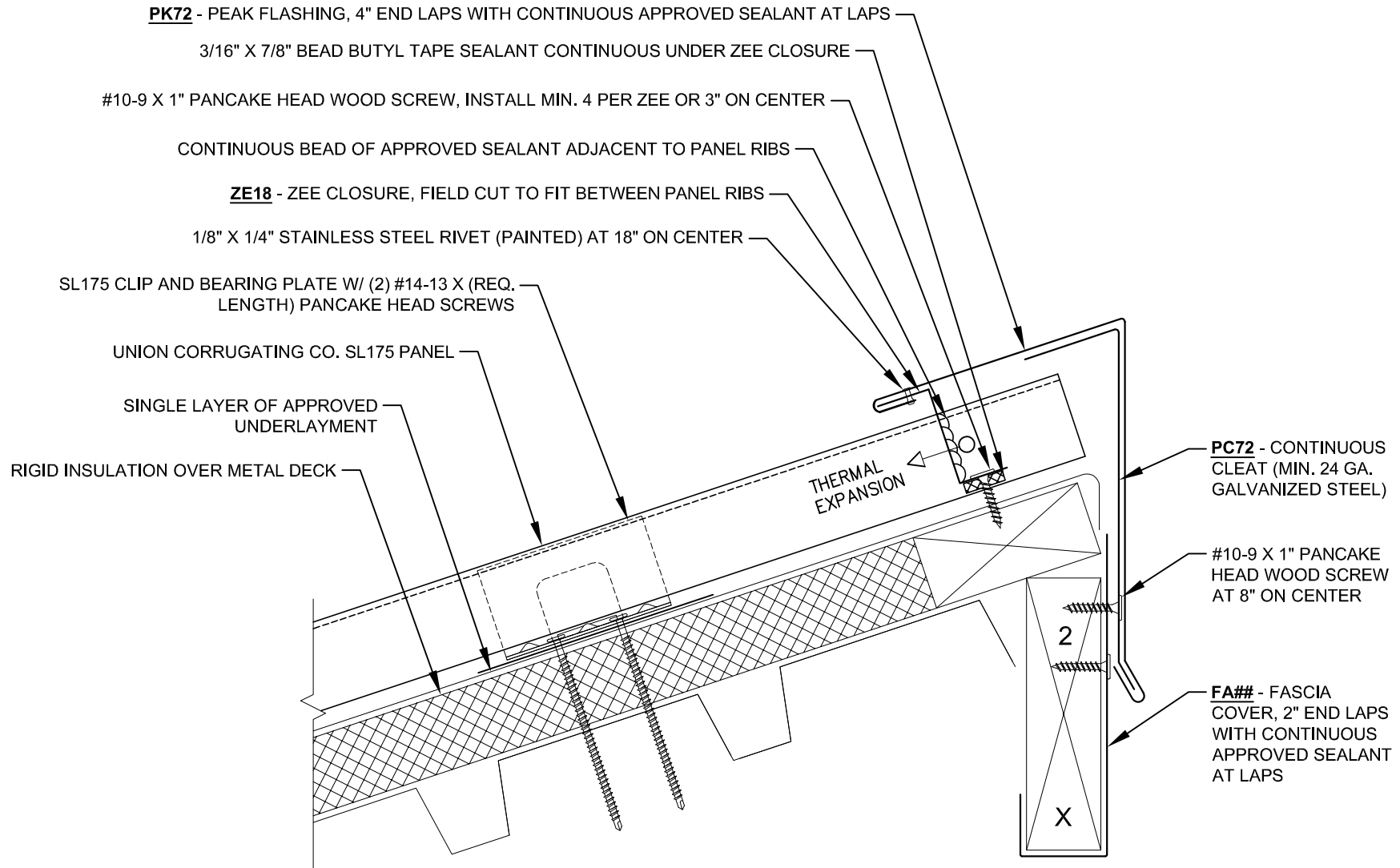


Description:
 Substrate:

HIP & RIDGE CAP EXPANSION

Detail No.:
 SL175-4.91

Project Name:
 Location:



Description:

PEAK DETAIL

Detail No.:

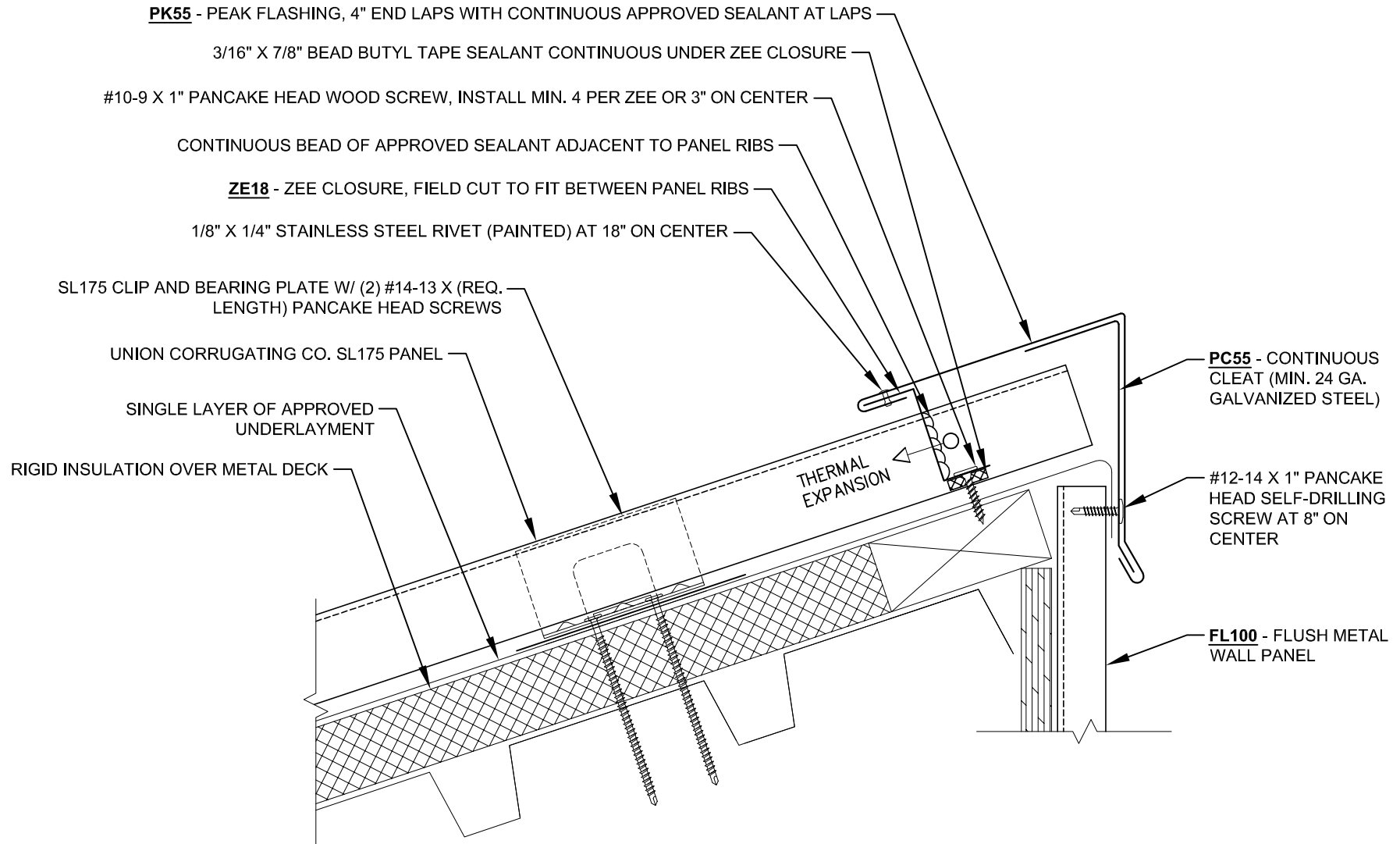
SL175-MD-5.10

Substrate:

RIGID INSULATION OVER METAL DECK

Project Name:

Location:

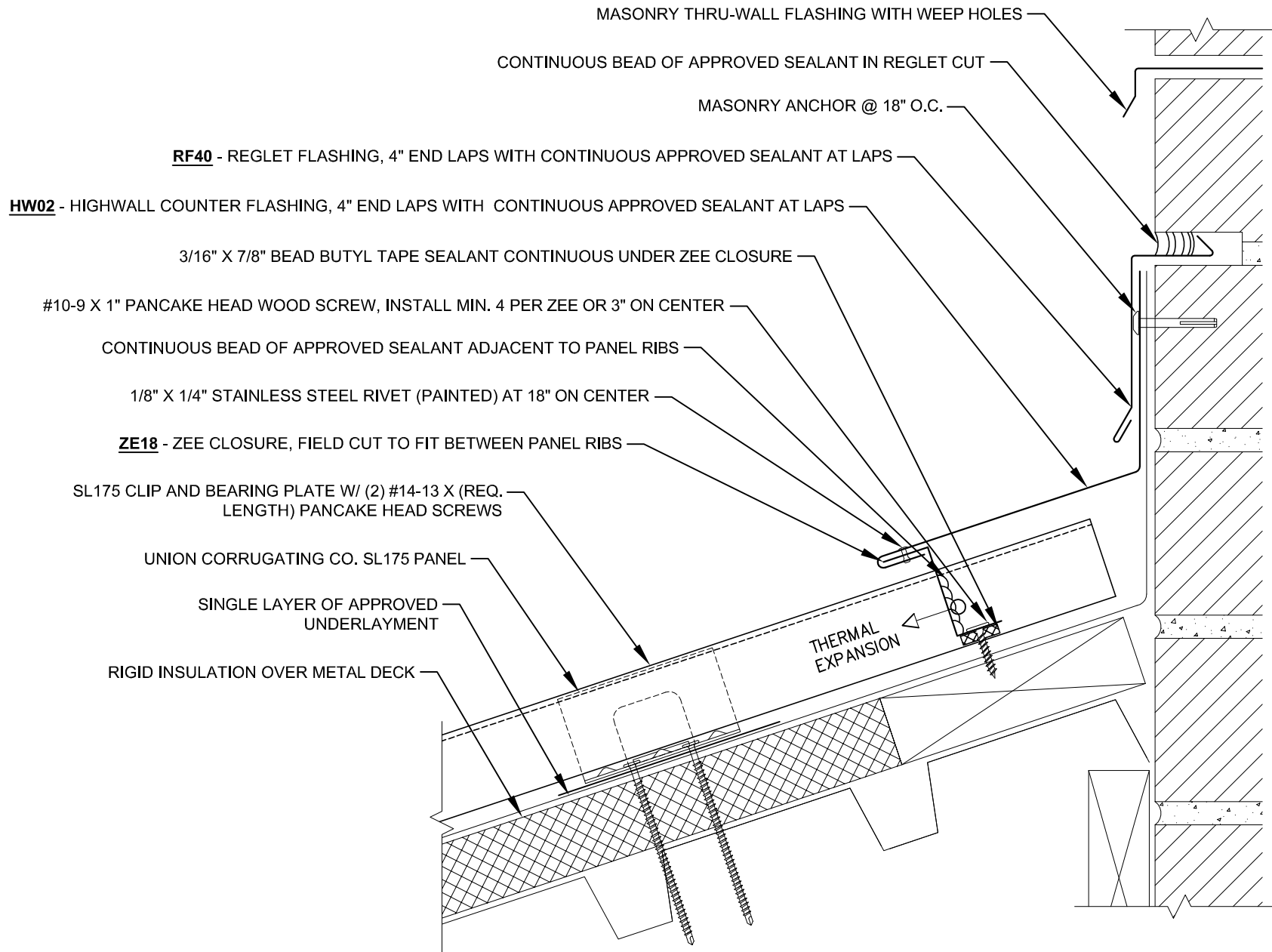


Description: **PEAK DETAIL - WITH WALL PANELS**

Substrate: **RIGID INSULATION OVER METAL DECK**

Project Name:
Location:

Detail No.: **SL175-MD-5.40**



RF40 - REGLET FLASHING, 4" END LAPS WITH CONTINUOUS APPROVED SEALANT AT LAPS

HW02 - HIGHWALL COUNTER FLASHING, 4" END LAPS WITH CONTINUOUS APPROVED SEALANT AT LAPS

3/16" X 7/8" BEAD BUTYL TAPE SEALANT CONTINUOUS UNDER ZEE CLOSURE

#10-9 X 1" PANCAKE HEAD WOOD SCREW, INSTALL MIN. 4 PER ZEE OR 3" ON CENTER

CONTINUOUS BEAD OF APPROVED SEALANT ADJACENT TO PANEL RIBS

1/8" X 1/4" STAINLESS STEEL RIVET (PAINTED) AT 18" ON CENTER

ZE18 - ZEE CLOSURE, FIELD CUT TO FIT BETWEEN PANEL RIBS

SL175 CLIP AND BEARING PLATE W/ (2) #14-13 X (REQ. LENGTH) PANCAKE HEAD SCREWS

UNION CORRUGATING CO. SL175 PANEL

SINGLE LAYER OF APPROVED UNDERLAYMENT

RIGID INSULATION OVER METAL DECK

THERMAL EXPANSION



Description:

HIGHWALL DETAIL - REGLET

Detail No.:

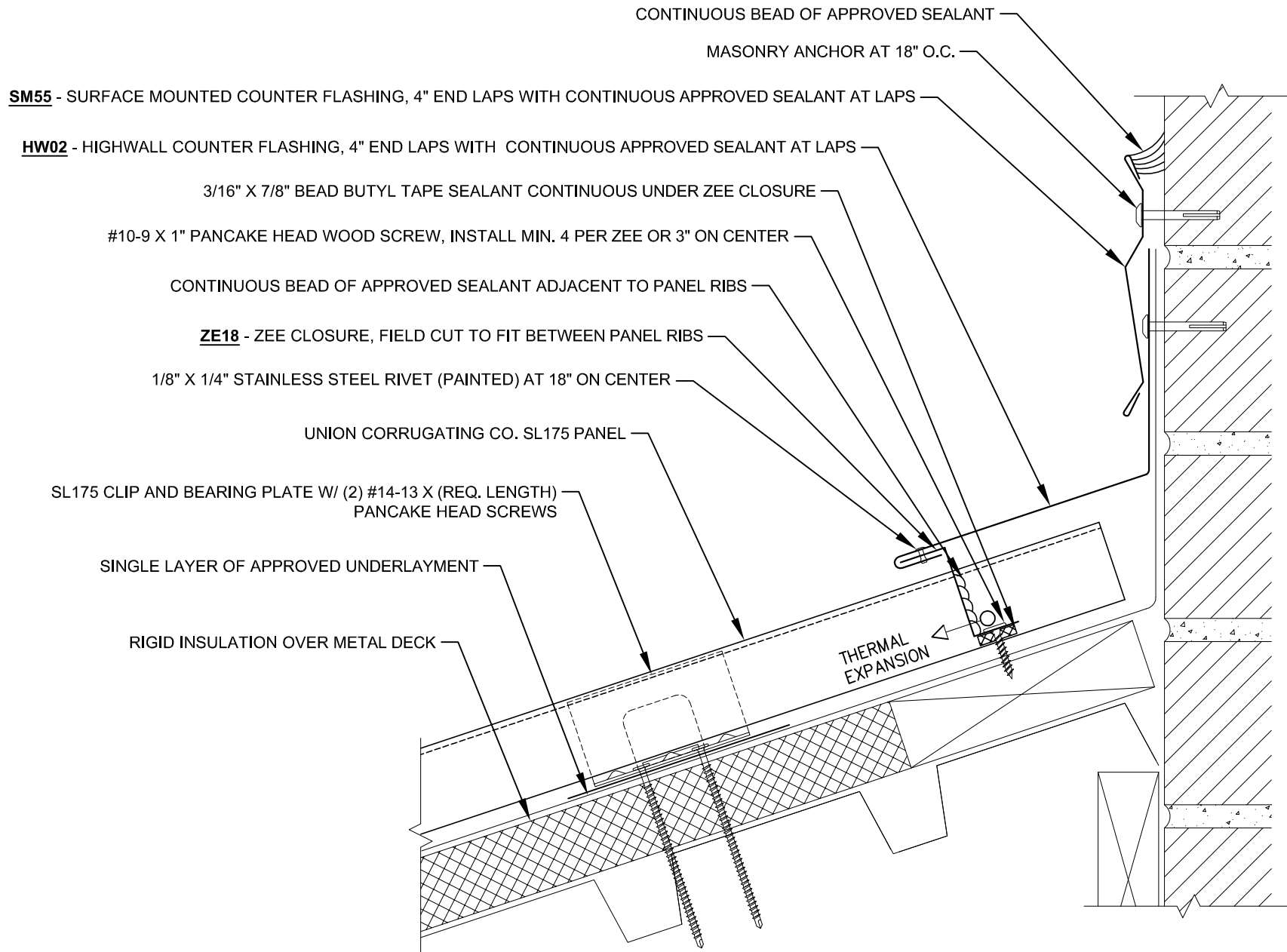
SL175-MD-6.10

Substrate:

RIGID INSULATION OVER METAL DECK

Project Name:

Location:



SM55 - SURFACE MOUNTED COUNTER FLASHING, 4" END LAPS WITH CONTINUOUS APPROVED SEALANT AT LAPS

HW02 - HIGHWALL COUNTER FLASHING, 4" END LAPS WITH CONTINUOUS APPROVED SEALANT AT LAPS

3/16" X 7/8" BEAD BUTYL TAPE SEALANT CONTINUOUS UNDER ZEE CLOSURE

#10-9 X 1" PANCAKE HEAD WOOD SCREW, INSTALL MIN. 4 PER ZEE OR 3" ON CENTER

CONTINUOUS BEAD OF APPROVED SEALANT ADJACENT TO PANEL RIBS

ZE18 - ZEE CLOSURE, FIELD CUT TO FIT BETWEEN PANEL RIBS

1/8" X 1/4" STAINLESS STEEL RIVET (PAINTED) AT 18" ON CENTER

UNION CORRUGATING CO. SL175 PANEL

SL175 CLIP AND BEARING PLATE W/ (2) #14-13 X (REQ. LENGTH) PANCAKE HEAD SCREWS

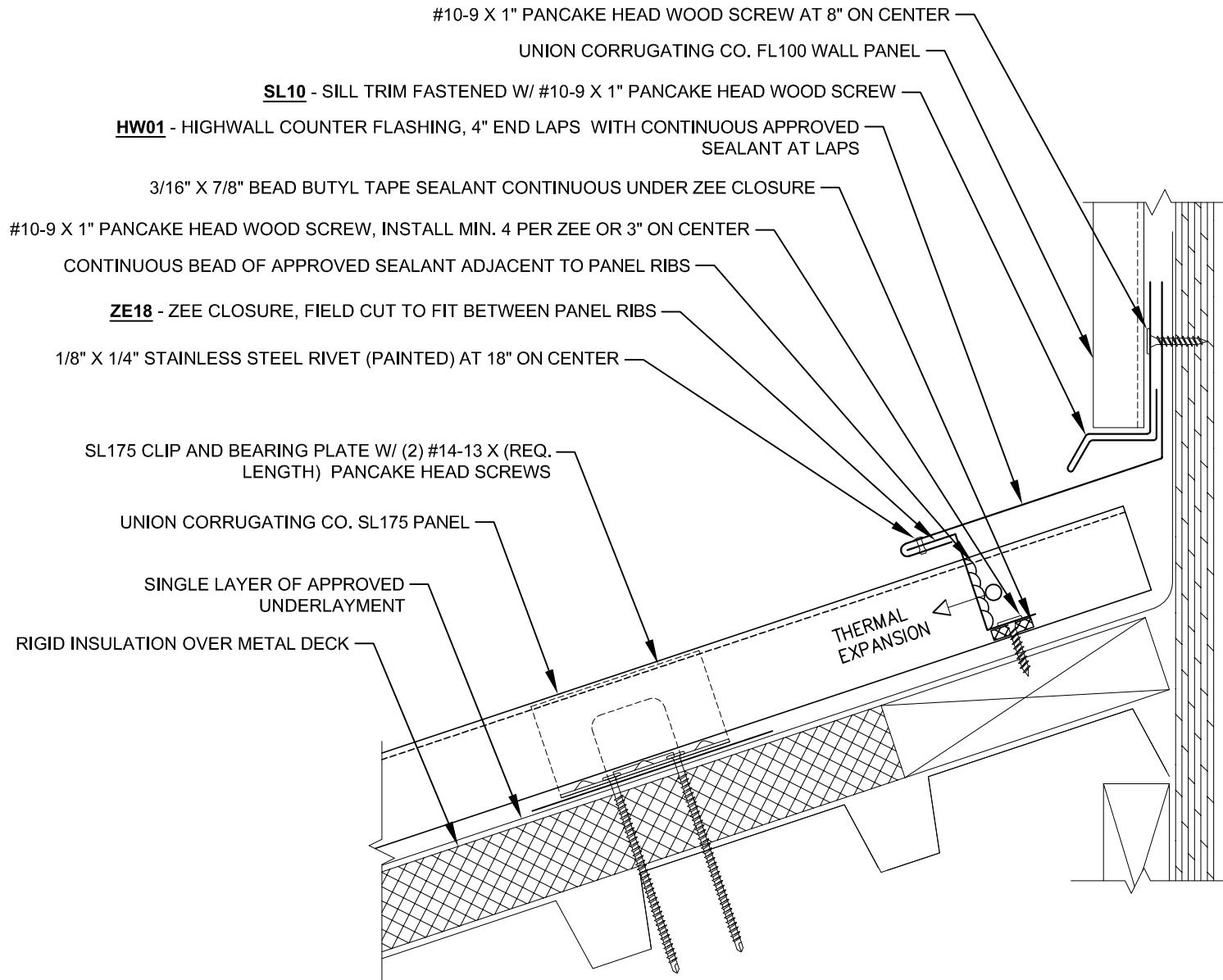
SINGLE LAYER OF APPROVED UNDERLAYMENT

RIGID INSULATION OVER METAL DECK

THERMAL EXPANSION



| | | | |
|--------------|--|---|-------------------------------------|
| Description: | HIGHWALL DETAIL - SURFACE MOUNT | | Detail No.: SL175-MD-6.12 |
| | Substrate: | RIGID INSULATION OVER METAL DECK | |



Description:

HIGHWALL DETAIL - WALL PANEL W/ SILL

Detail No.:

SL175-MD-6.14

Substrate:

RIGID INSULATION OVER METAL DECK

Project Name:

Location:

MEMBRANE ROOFING SYSTEM. EXTEND OVER PARAPET AND DOWN FACE OF WALL MINIMUM 3"

COPING SYSTEM WITH CONTINUOUS CLEAT (MIN. 24 GAUGE) FASTENED AT 8" ON CENTER AT CLEAT AND 24" ON CENTER AT REAR. INSTALL WITH 4" END LAPS WITH CONTINUOUS APPROVED SEALANT AT LAPS.

HW02 - HIGHWALL COUNTER FLASHING, 4" END LAPS WITH CONTINUOUS APPROVED SEALANT AT LAPS

3/16" X 7/8" BEAD BUTYL TAPE SEALANT CONTINUOUS UNDER ZEE CLOSURE

#10-9 X 1" PANCAKE HEAD WOOD SCREW, INSTALL MIN. 4 PER ZEE OR 3" ON CENTER

CONTINUOUS BEAD OF APPROVED SEALANT ADJACENT TO PANEL RIBS

ZE18 - ZEE CLOSURE, FIELD CUT TO FIT BETWEEN PANEL RIBS

1/8" X 1/4" STAINLESS STEEL RIVET (PAINTED) AT 18" ON CENTER

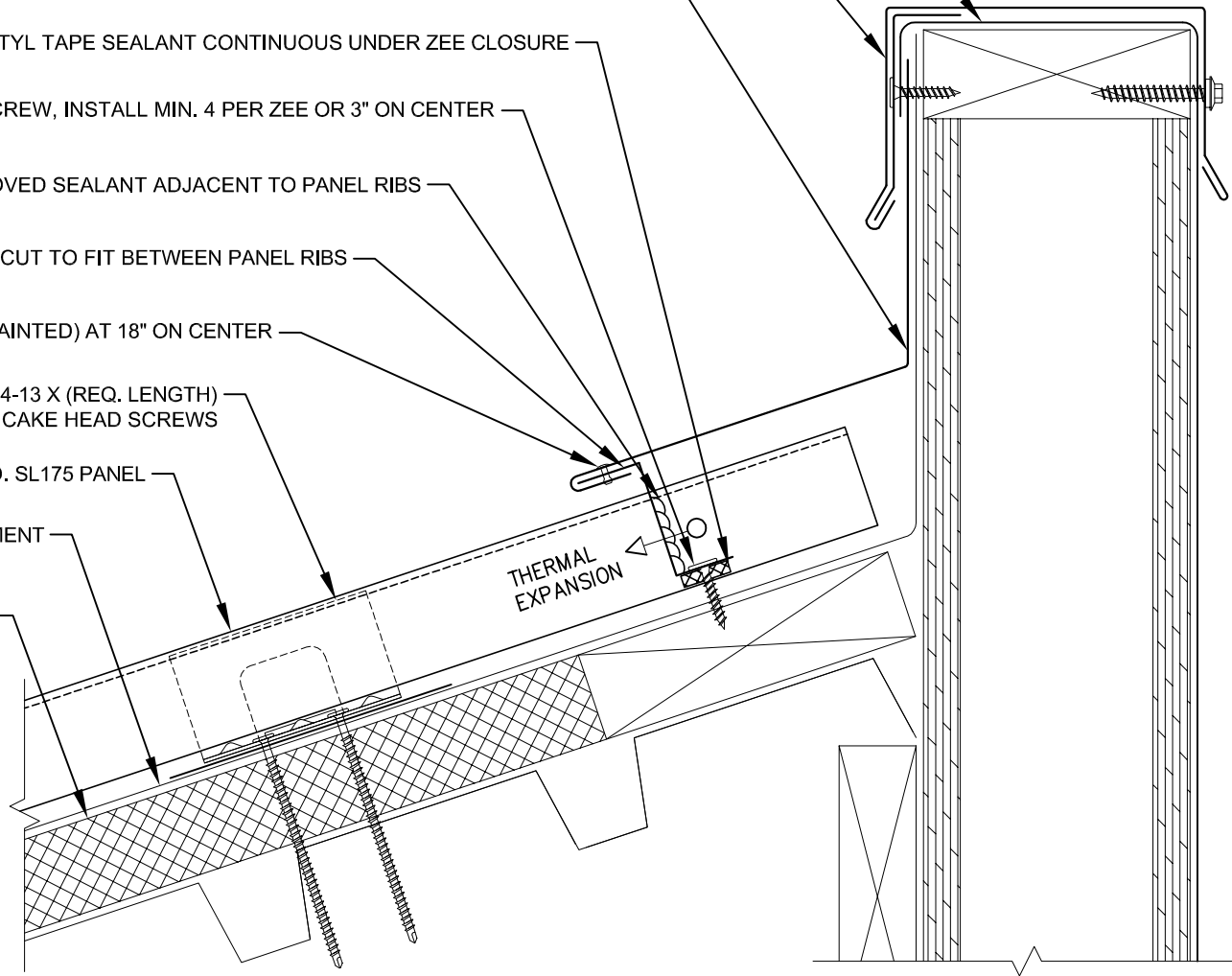
SL175 CLIP AND BEARING PLATE W/ (2) #14-13 X (REQ. LENGTH) PANCAKE HEAD SCREWS

UNION CORRUGATING CO. SL175 PANEL

SINGLE LAYER OF APPROVED UNDERLAYMENT

RIGID INSULATION OVER METAL DECK

THERMAL EXPANSION



Description:

HIGHWALL DETAIL - PARAPET COPING

Detail No.:

SL175-MD-6.20

Substrate:

RIGID INSULATION OVER METAL DECK

Project Name:

Location:

FILL END OF PANEL RIB W/ APPROVED SEALANT FOLD TAB AROUND RIB FOR CLOSURE

LW01 - LOW WALL FLASHING, 12" END LAPS WITH 2 ROWS OF APPROVED SEALANT AT LAPS

CUT BACK VERTICAL PANEL LEGS AND FIELD FORM PANEL AROUND OFFSET. REFER TO EAVE EXPANSION DETAIL FOR PROPER EXPANSION/CONTRACTION GAP

#14-13 X (REQ. LENGTH) PANCAKE HEAD SCREW AT 8" O.C.

OC01 - CONTINUOUS 24 GAUGE OFFSET CLEAT SET IN CONTINUOUS 3/16" X 7/8" BUTYL TAPE SEALANT

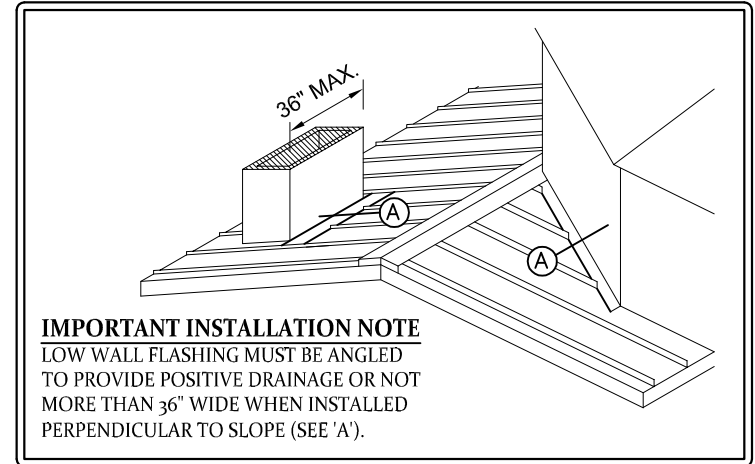
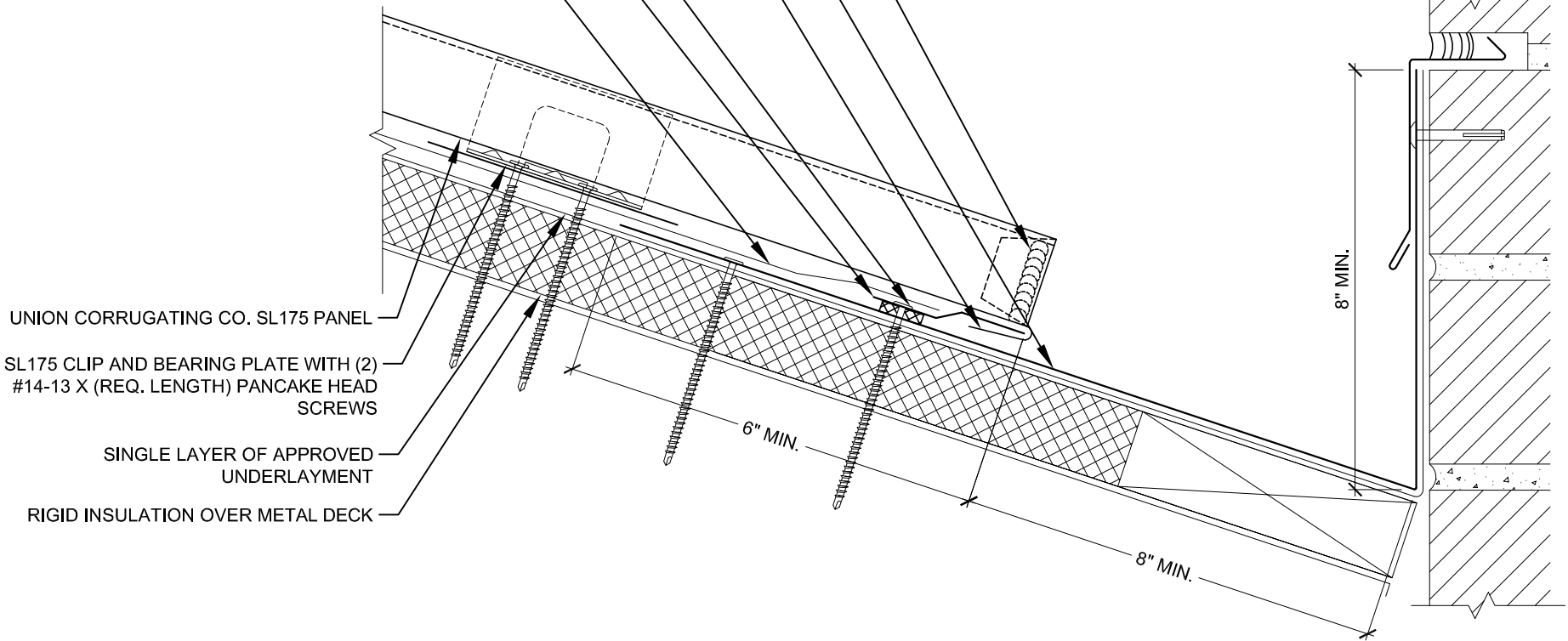
STRIP IN LOW WALL FLASHING WITH FIELD COURSE OF APPROVED UNDERLAYMENT

UNION CORRUGATING CO. SL175 PANEL

SL175 CLIP AND BEARING PLATE WITH (2) #14-13 X (REQ. LENGTH) PANCAKE HEAD SCREWS

SINGLE LAYER OF APPROVED UNDERLAYMENT

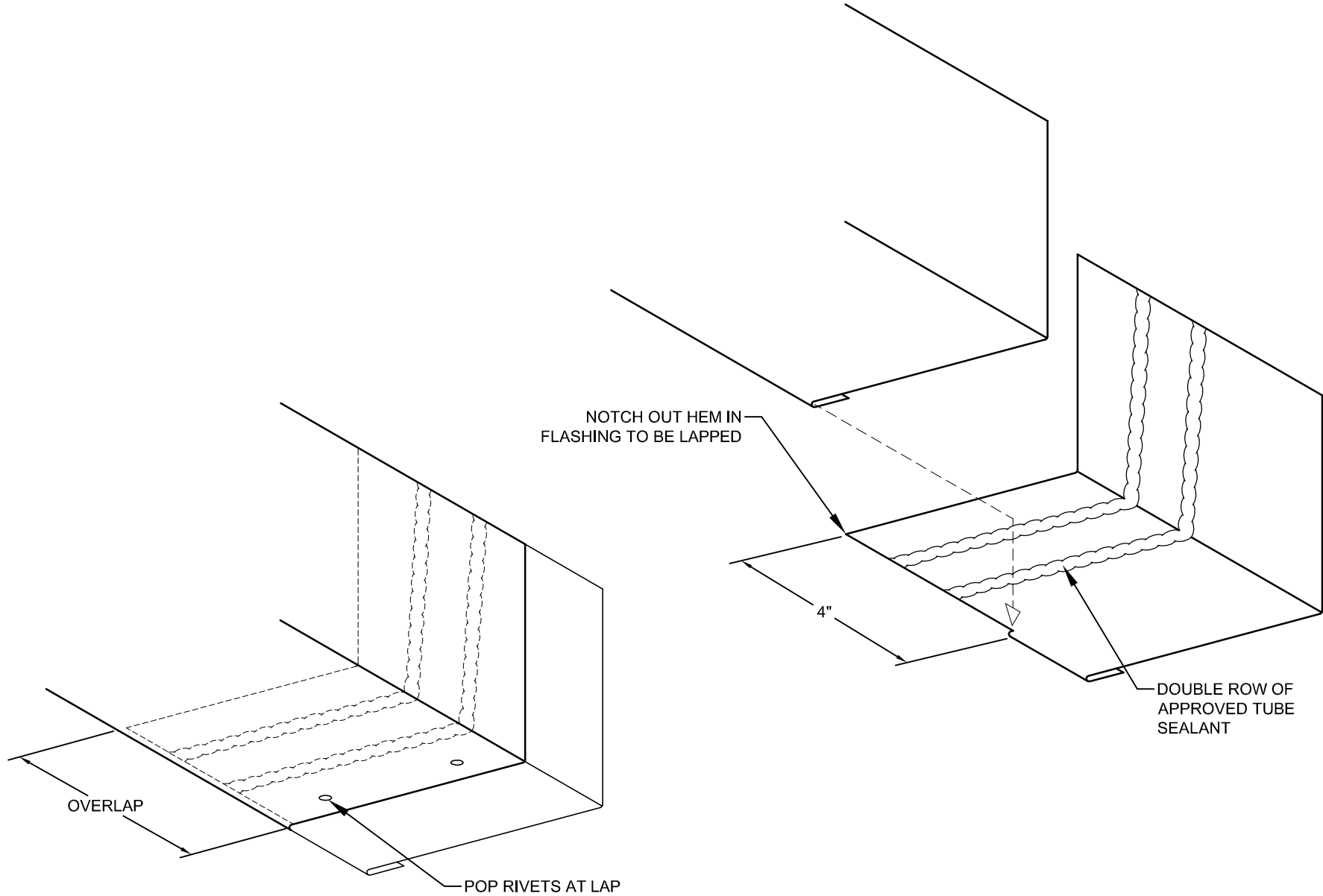
RIGID INSULATION OVER METAL DECK



IMPORTANT INSTALLATION NOTE
 LOW WALL FLASHING MUST BE ANGLED TO PROVIDE POSITIVE DRAINAGE OR NOT MORE THAN 36" WIDE WHEN INSTALLED PERPENDICULAR TO SLOPE (SEE 'A').



| | | | |
|--------------|---------------------------|---|-------------------------------------|
| Description: | VALLEY WALL DETAIL | | Detail No.: SL175-MD-6.30 |
| | Substrate: | RIGID INSULATION OVER METAL DECK | |



Description:

HIGHWALL LAP DETAIL

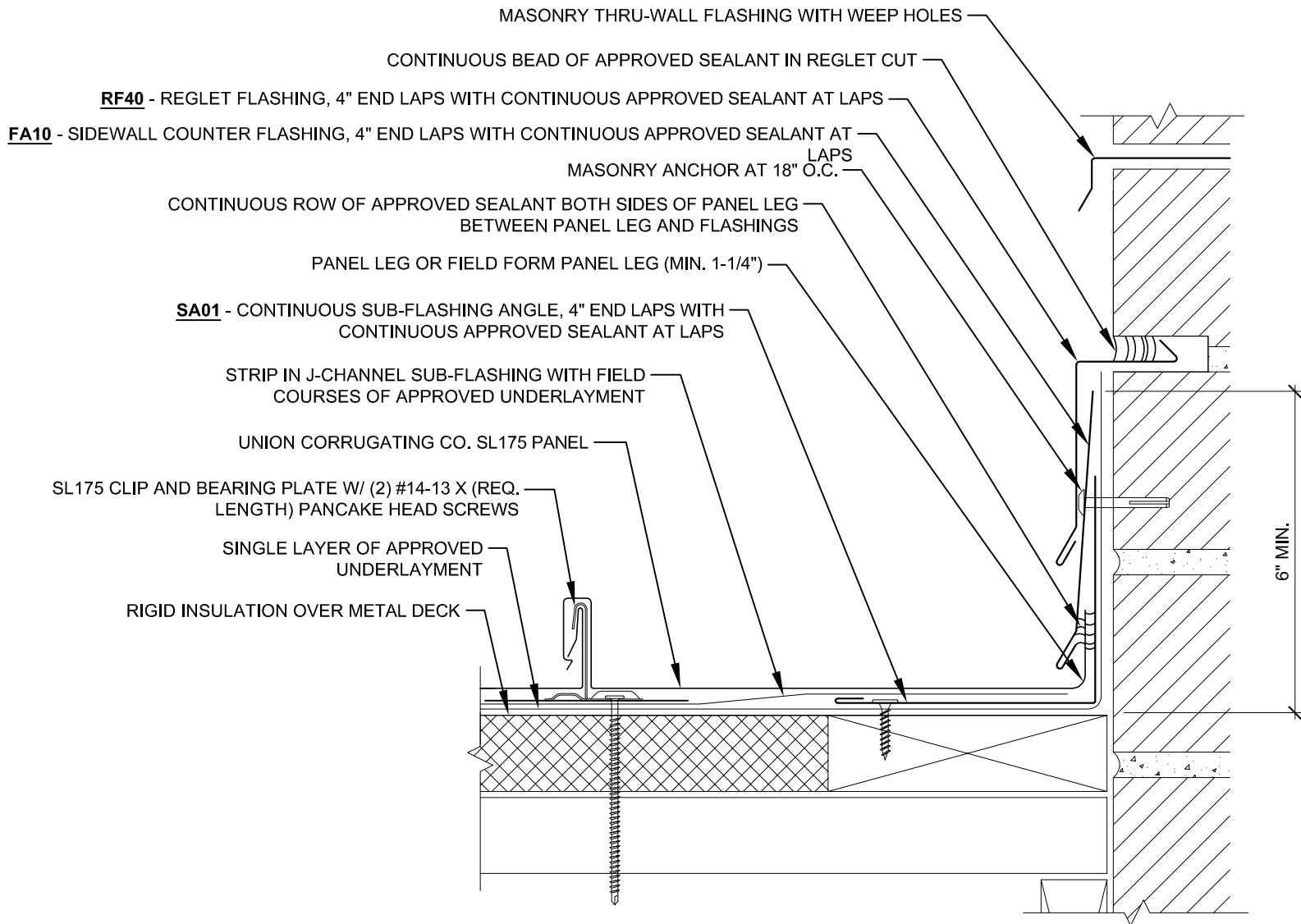
Detail No.:

SL175-6.90

Substrate:

Project Name:

Location:



Description:

SIDEWALL DETAIL - REGLET

Detail No.:

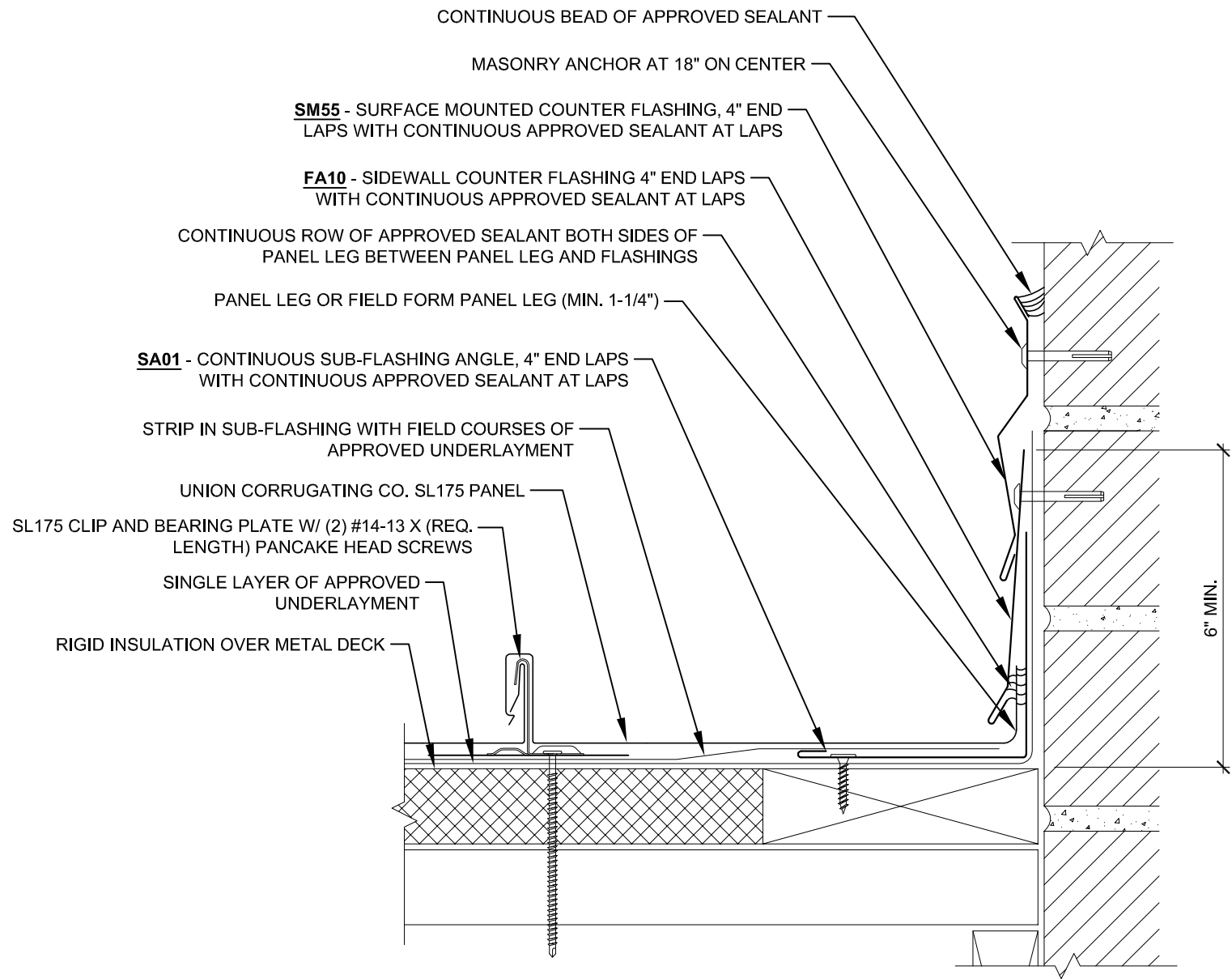
SL175-MD-7.11

Substrate:

RIGID INSULATION OVER METAL DECK

Project Name:

Location:



Description:

SIDEWALL DETAIL - SURFACE MOUNT

Detail No.:

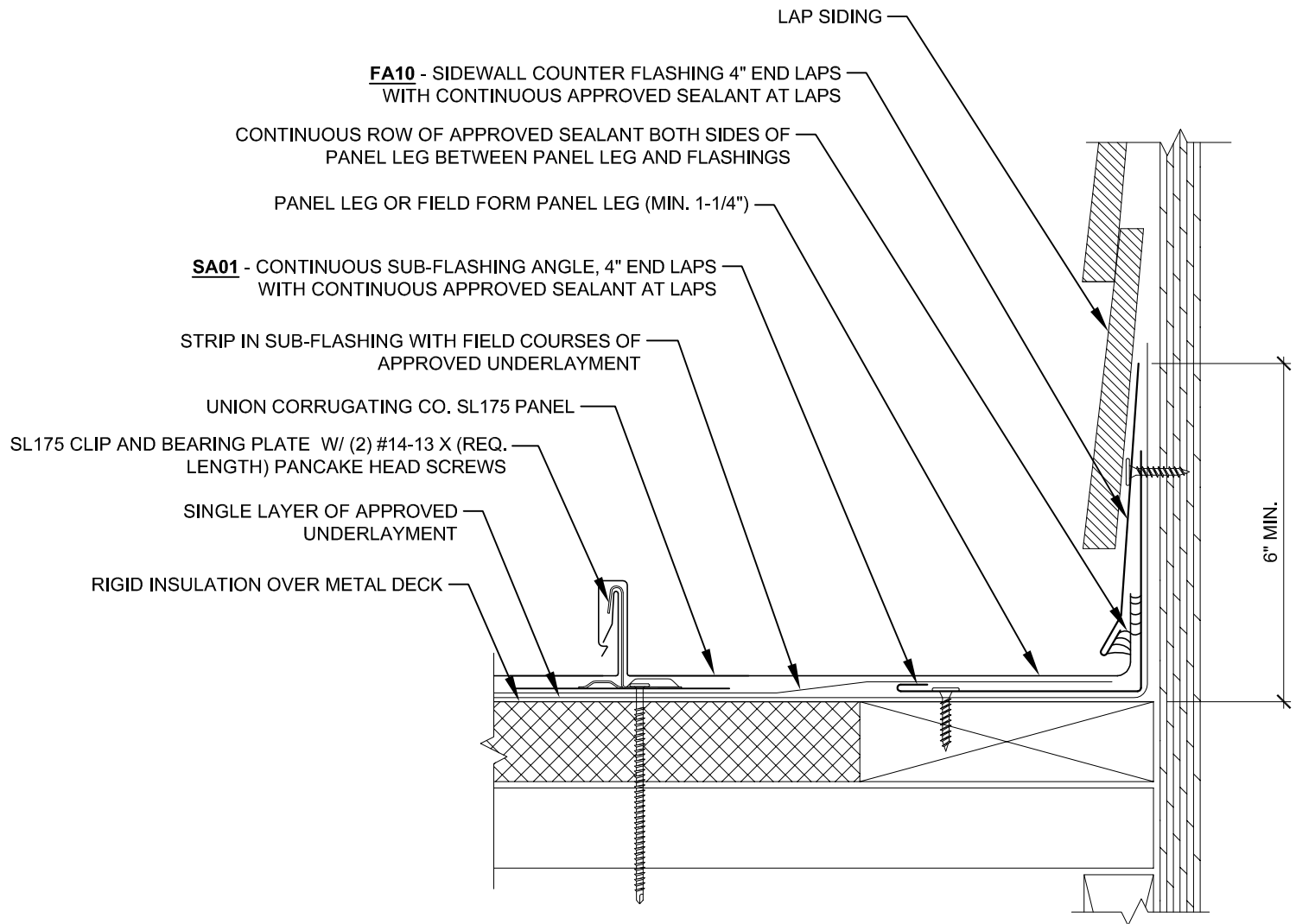
SL175-MD-7.12

Substrate:

RIGID INSULATION OVER METAL DECK

Project Name:

Location:



FA10 - SIDEWALL COUNTER FLASHING 4" END LAPS WITH CONTINUOUS APPROVED SEALANT AT LAPS

CONTINUOUS ROW OF APPROVED SEALANT BOTH SIDES OF PANEL LEG BETWEEN PANEL LEG AND FLASHINGS

PANEL LEG OR FIELD FORM PANEL LEG (MIN. 1-1/4")

SA01 - CONTINUOUS SUB-FLASHING ANGLE, 4" END LAPS WITH CONTINUOUS APPROVED SEALANT AT LAPS

STRIP IN SUB-FLASHING WITH FIELD COURSES OF APPROVED UNDERLAYMENT

UNION CORRUGATING CO. SL175 PANEL

SL175 CLIP AND BEARING PLATE W/ (2) #14-13 X (REQ. LENGTH) PANCAKE HEAD SCREWS

SINGLE LAYER OF APPROVED UNDERLAYMENT

RIGID INSULATION OVER METAL DECK

LAP SIDING

6" MIN.

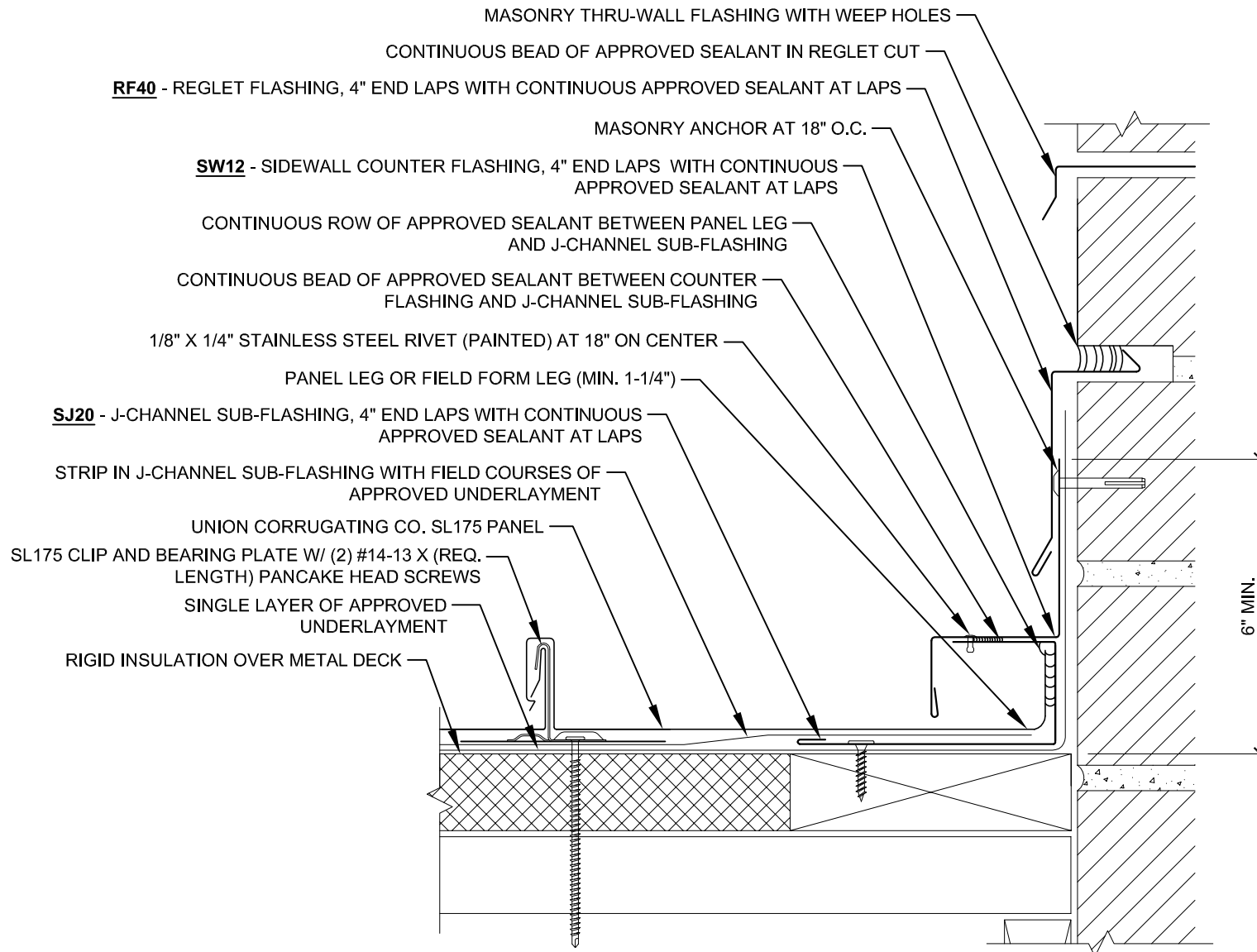


Description: **SIDEWALL DETAIL - WOOD FRAMING & SIDING**

Detail No.: **SL175-MD-7.13**

Substrate: **RIGID INSULATION OVER METAL DECK**

Project Name:
Location:



Description:

SIDEWALL DETAIL - REGLET

Detail No.:

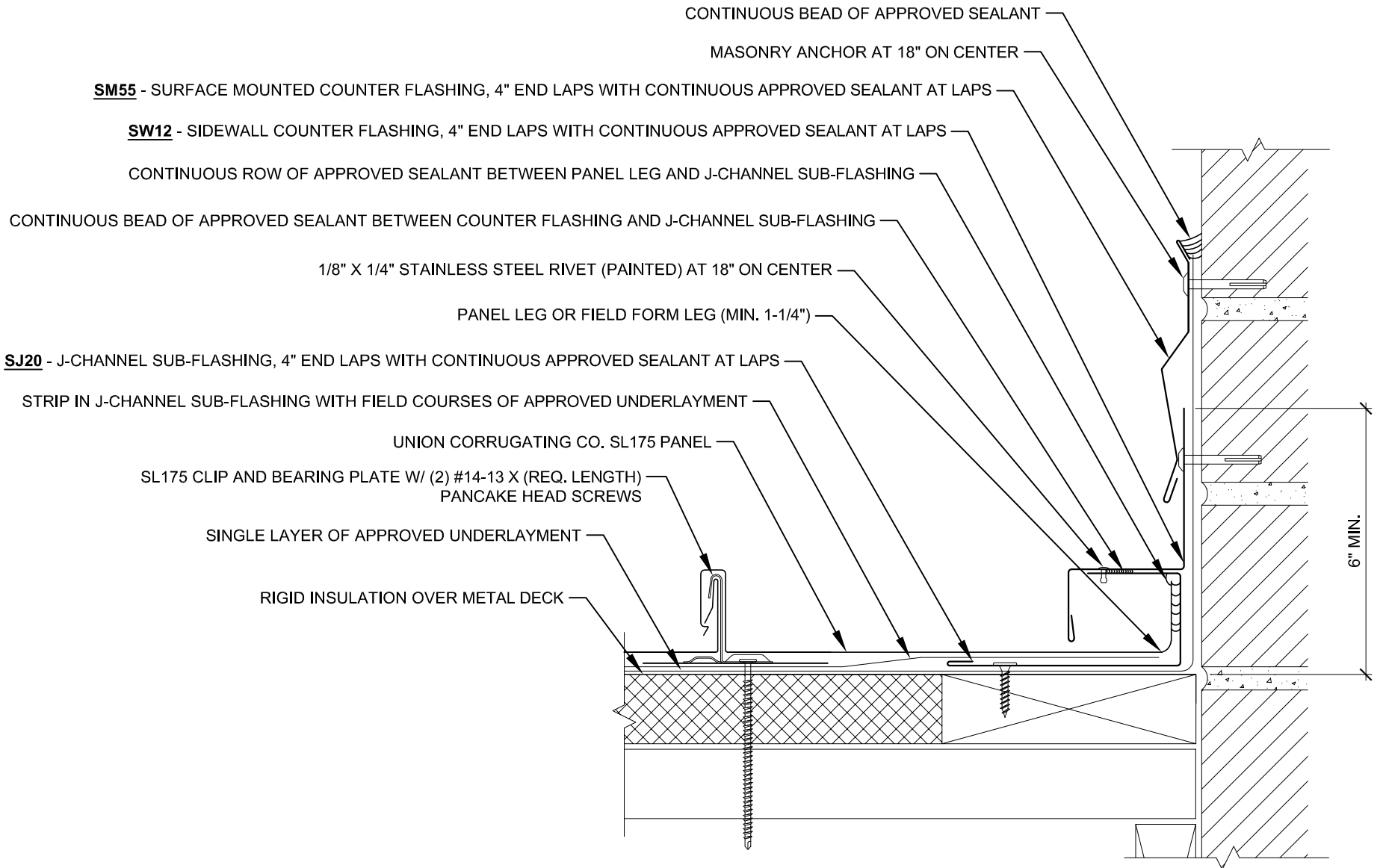
SL175-MD-7.21

Substrate:

RIGID INSULATION OVER METAL DECK

Project Name:

Location:



Description:

SIDEWALL DETAIL - SURFACE MOUNT

Detail No.:

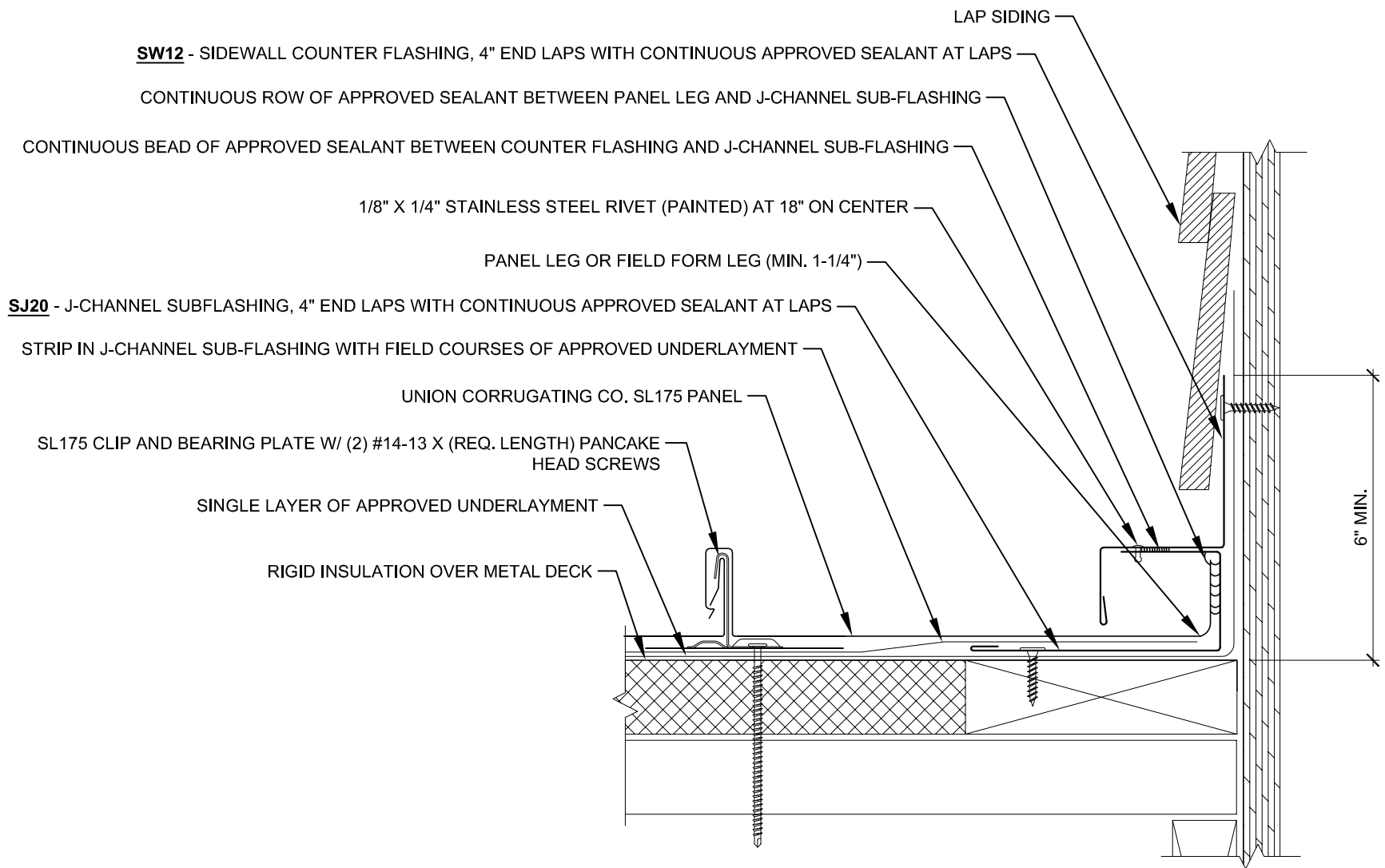
SL175-MD-7.22

Substrate:

RIGID INSULATION OVER METAL DECK

Project Name:

Location:

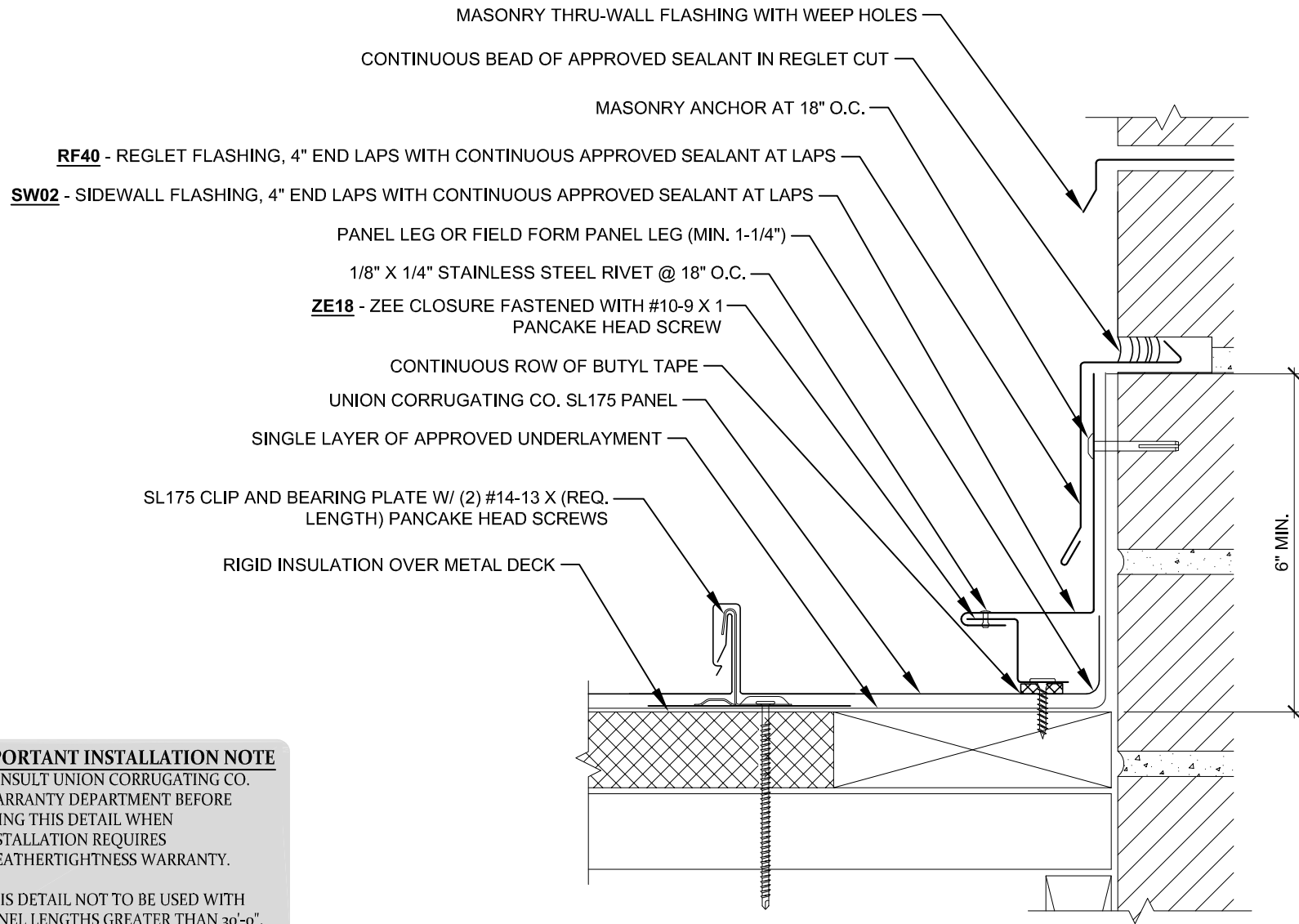


Description: **SIDEWALL DETAIL - WOOD FRAMING & SIDING**

Detail No.: **SL175-MD-7.23**

Substrate: **RIGID INSULATION OVER METAL DECK**

Project Name:
Location:

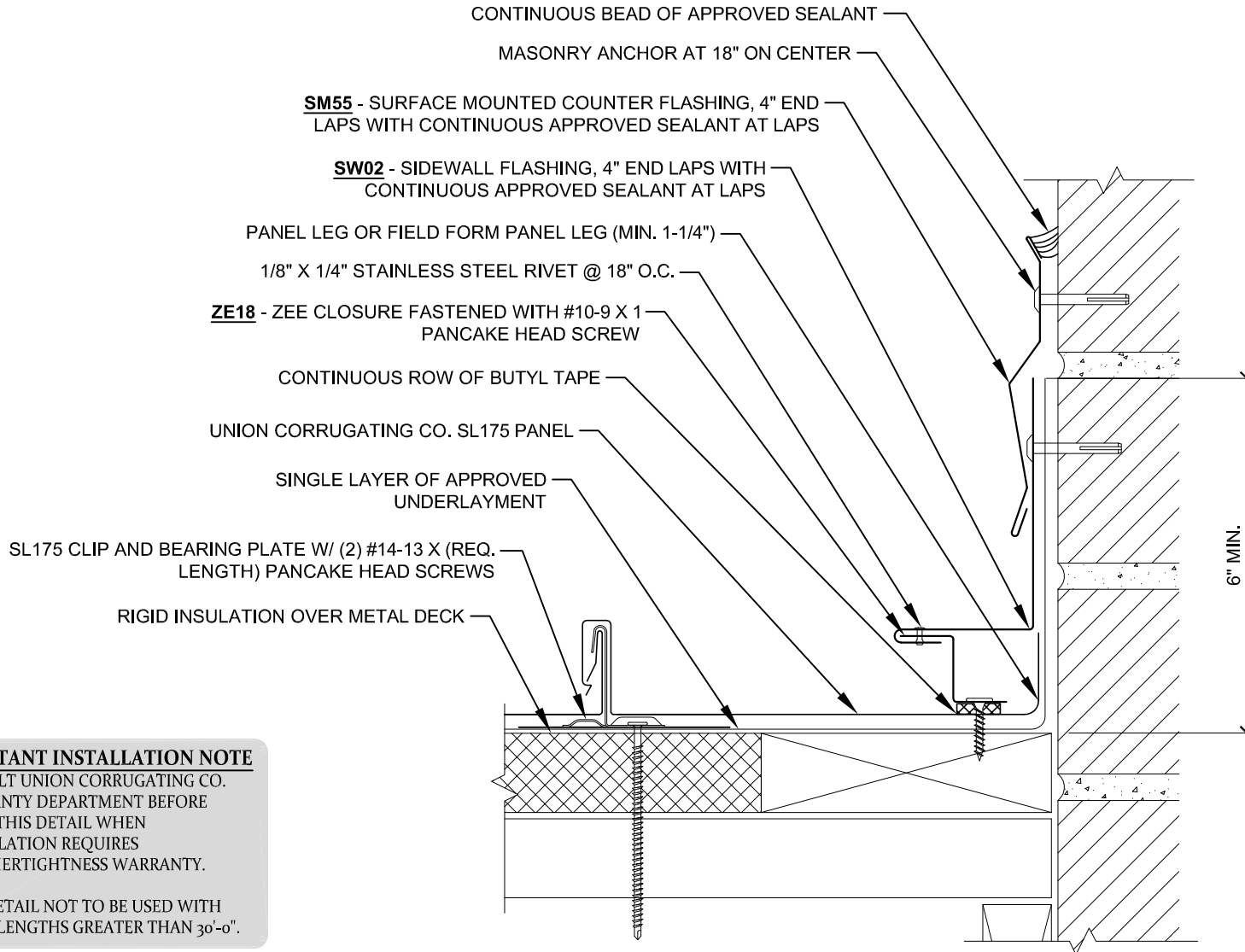


IMPORTANT INSTALLATION NOTE

- CONSULT UNION CORRUGATING CO. WARRANTY DEPARTMENT BEFORE USING THIS DETAIL WHEN INSTALLATION REQUIRES WEATHERTIGHTNESS WARRANTY.
- THIS DETAIL NOT TO BE USED WITH PANEL LENGTHS GREATER THAN 30'-0".



| | | | | |
|--------------|--|---|-------------|----------------------|
| Description: | SIDEWALL W/ ZEE DETAIL - REGLET | | Detail No.: | SL175-MD-7.31 |
| | Substrate: | RIGID INSULATION OVER METAL DECK | | Project Name: |
| | | | Location: | |



IMPORTANT INSTALLATION NOTE

- CONSULT UNION CORRUGATING CO. WARRANTY DEPARTMENT BEFORE USING THIS DETAIL WHEN INSTALLATION REQUIRES WEATHERTIGHTNESS WARRANTY.
- THIS DETAIL NOT TO BE USED WITH PANEL LENGTHS GREATER THAN 30'-0".



Description:

SIDEWALL W/ ZEE DETAIL - SURFACE MOUNT

Detail No.:

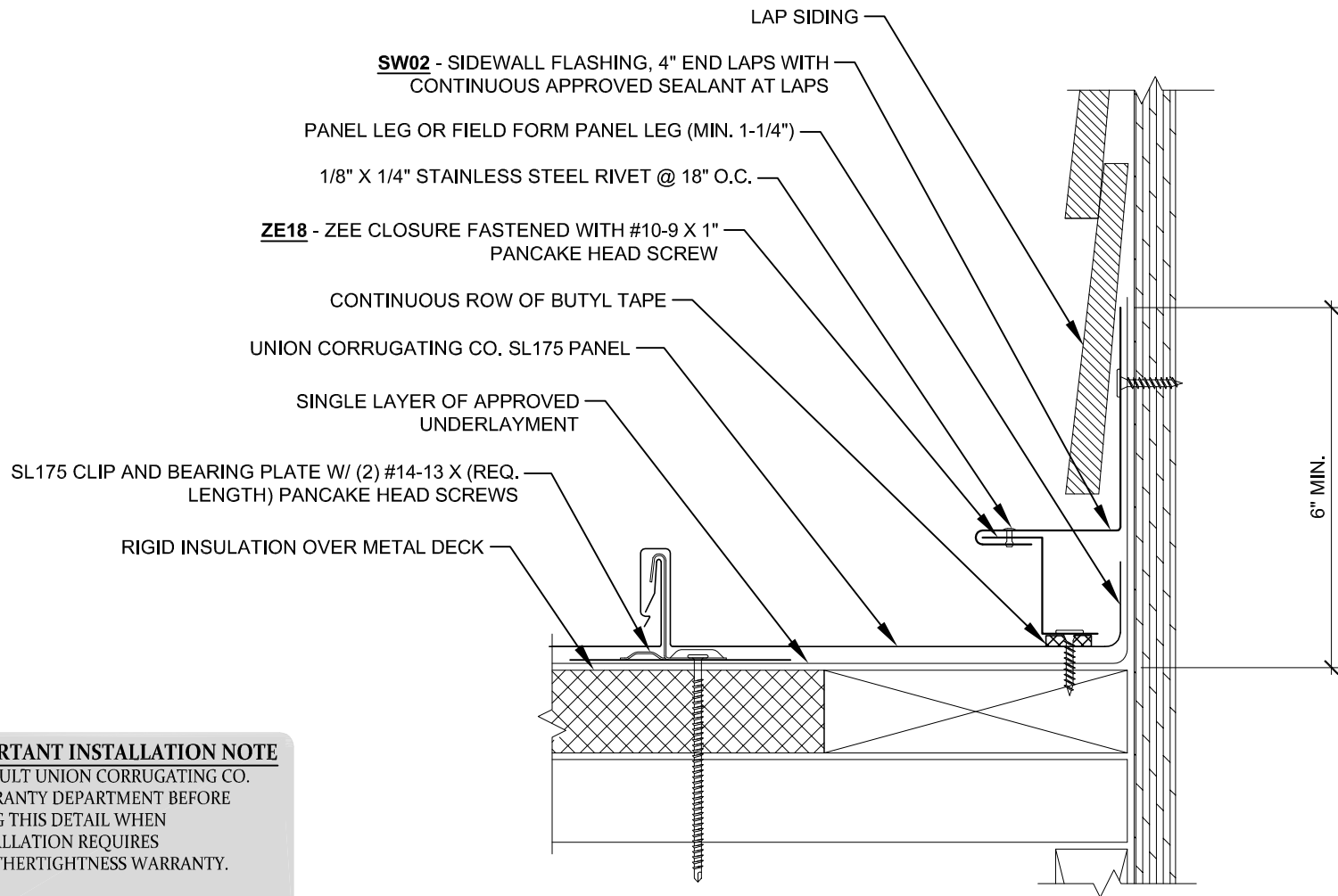
SL175-MD-7.32

Substrate:

RIGID INSULATION OVER METAL DECK

Project Name:

Location:



IMPORTANT INSTALLATION NOTE

- CONSULT UNION CORRUGATING CO. WARRANTY DEPARTMENT BEFORE USING THIS DETAIL WHEN INSTALLATION REQUIRES WEATHERTIGHTNESS WARRANTY.
- THIS DETAIL NOT TO BE USED WITH PANEL LENGTHS GREATER THAN 30'-0".



Description:

SIDEWALL W/ ZEE - WOOD FRAMING & SIDING

Detail No.:

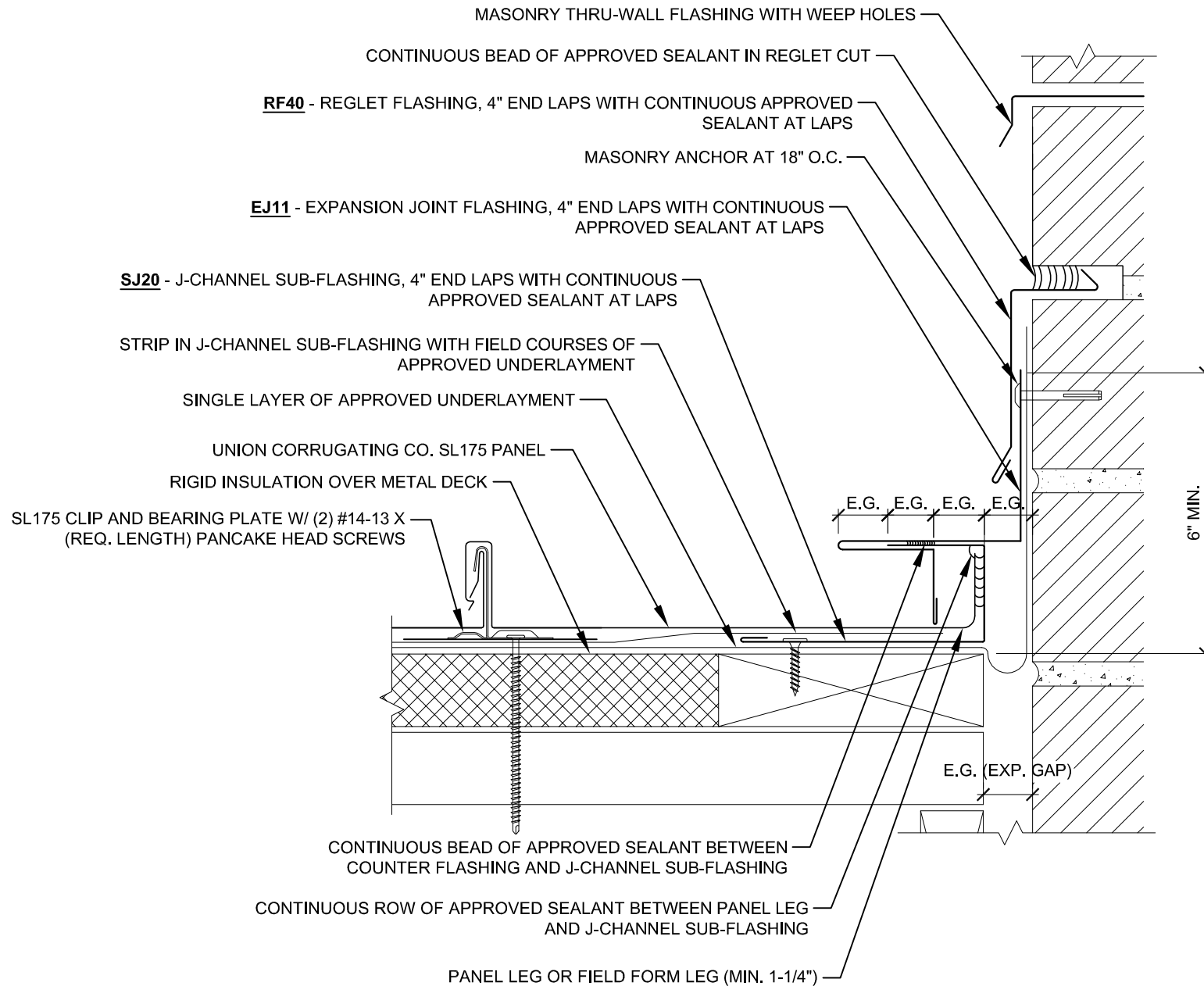
SL175-MD-7.33

Substrate:

RIGID INSULATION OVER METAL DECK

Project Name:

Location:



Description:

SIDEWALL EXPANSION JOINT DETAIL

Detail No.:

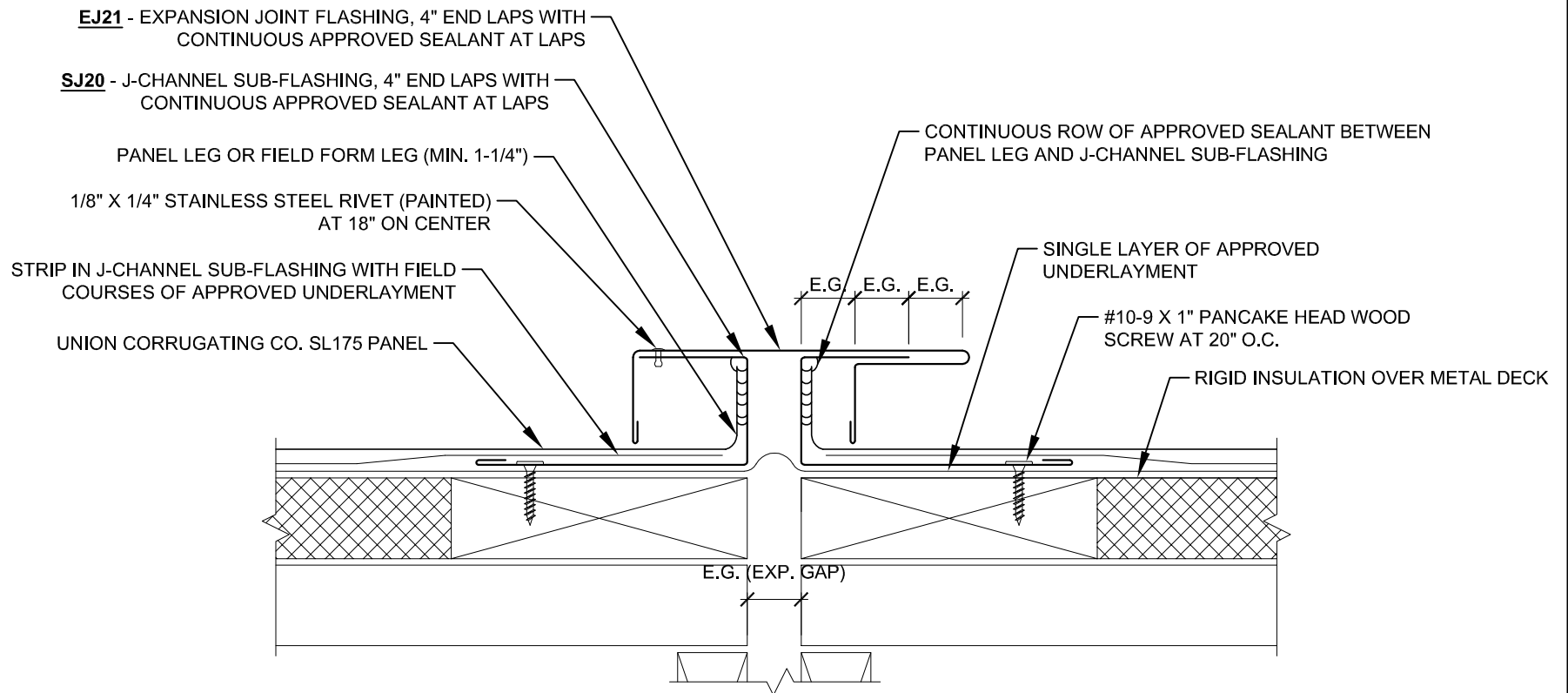
SL175-MD-7.40

Substrate:

RIGID INSULATION OVER METAL DECK

Project Name:

Location:



Description:

EXPANSION JOINT (MID-ROOF)

Detail No.:

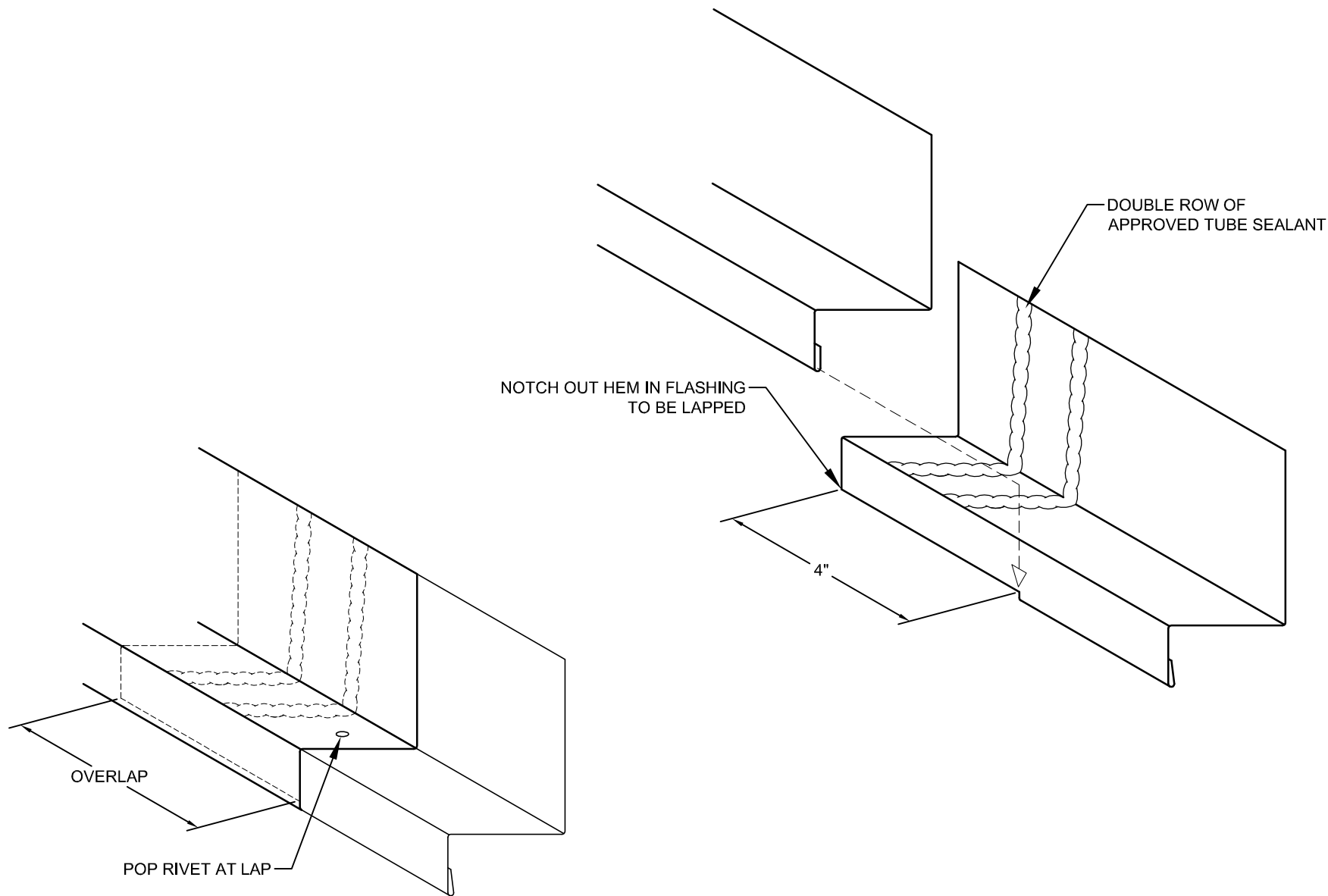
SL175-MD-7.50

Substrate:

RIGID INSULATION OVER METAL DECK

Project Name:

Location:



Description:

SIDEWALL LAP DETAIL

Detail No.:

SL175-7.90

Substrate:

Project Name:

Location:

UNION CORRUGATING CO. SL175 PANEL

STRIP IN SLOPE TRANSITION FLASHING WITH FIELD COURSE OF APPROVED UNDERLAYMENT

#14-13 X (REQ. LENGTH) PANCAKE HEAD SCREW, INSTALL MIN. PER ZEE OR 3" ON CENTER

OC01 - CONTINUOUS 24 GAUGE OFFSET CLEAT SET IN CONTINUOUS 3/16" X 7/8" BUTYL TAPE SEALANT

FILL END OF PANEL RIB W/ APPROVED SEALANT FOLD TAB AROUND RIB FOR CLOSURE

ST01 - SLOPE TRANSITION FLASHING, 4" END LAPS WITH CONTINUOUS APPROVED SEALANT AT LAPS

3/16" X 7/8" BEAD BUTYL TAPE SEALANT CONTINUOUS UNDER ZEE CLOSURE

#14-13 X (REQ. LENGTH) PANCAKE HEAD SCREW, INSTALL MIN. PER ZEE OR 3" ON CENTER

ZE18 - ZEE CLOSURE, FIELD CUT TO FIT BETWEEN PANEL RIBS W/ CONT. BEAD OF APPROVED SEALANT ADJACENT TO PANEL RIBS

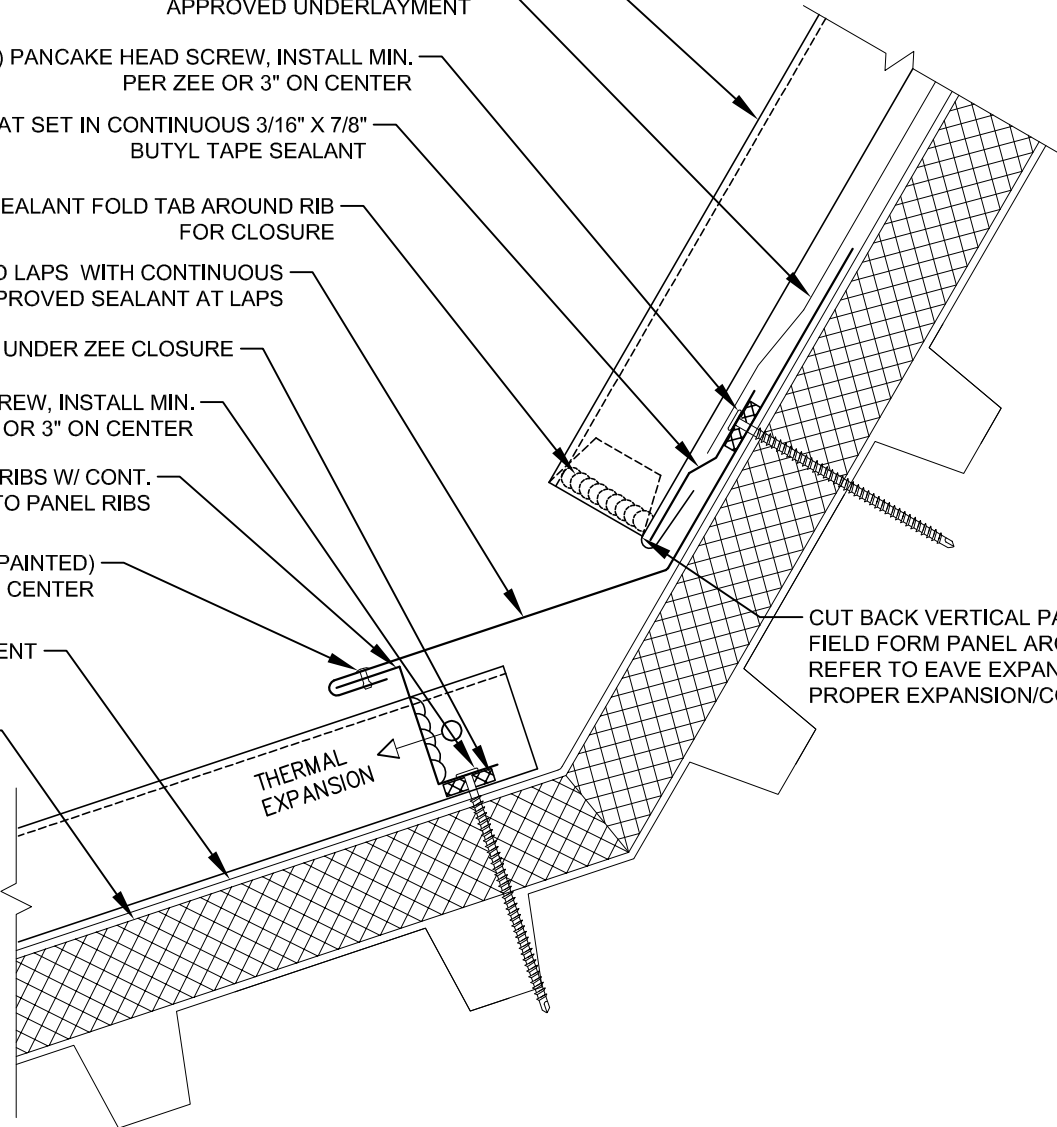
1/8" X 1/4" STAINLESS STEEL RIVET (PAINTED) AT 18" ON CENTER

SINGLE LAYER OF APPROVED UNDERLAYMENT

RIGID INSULATION OVER METAL DECK

THERMAL EXPANSION

CUT BACK VERTICAL PANEL LEGS AND FIELD FORM PANEL AROUND OFFSET. REFER TO EAVE EXPANSION DETAIL FOR PROPER EXPANSION/CONTRACTION GAP



Description:

SLOPE TRANSITION DETAIL

Detail No.:

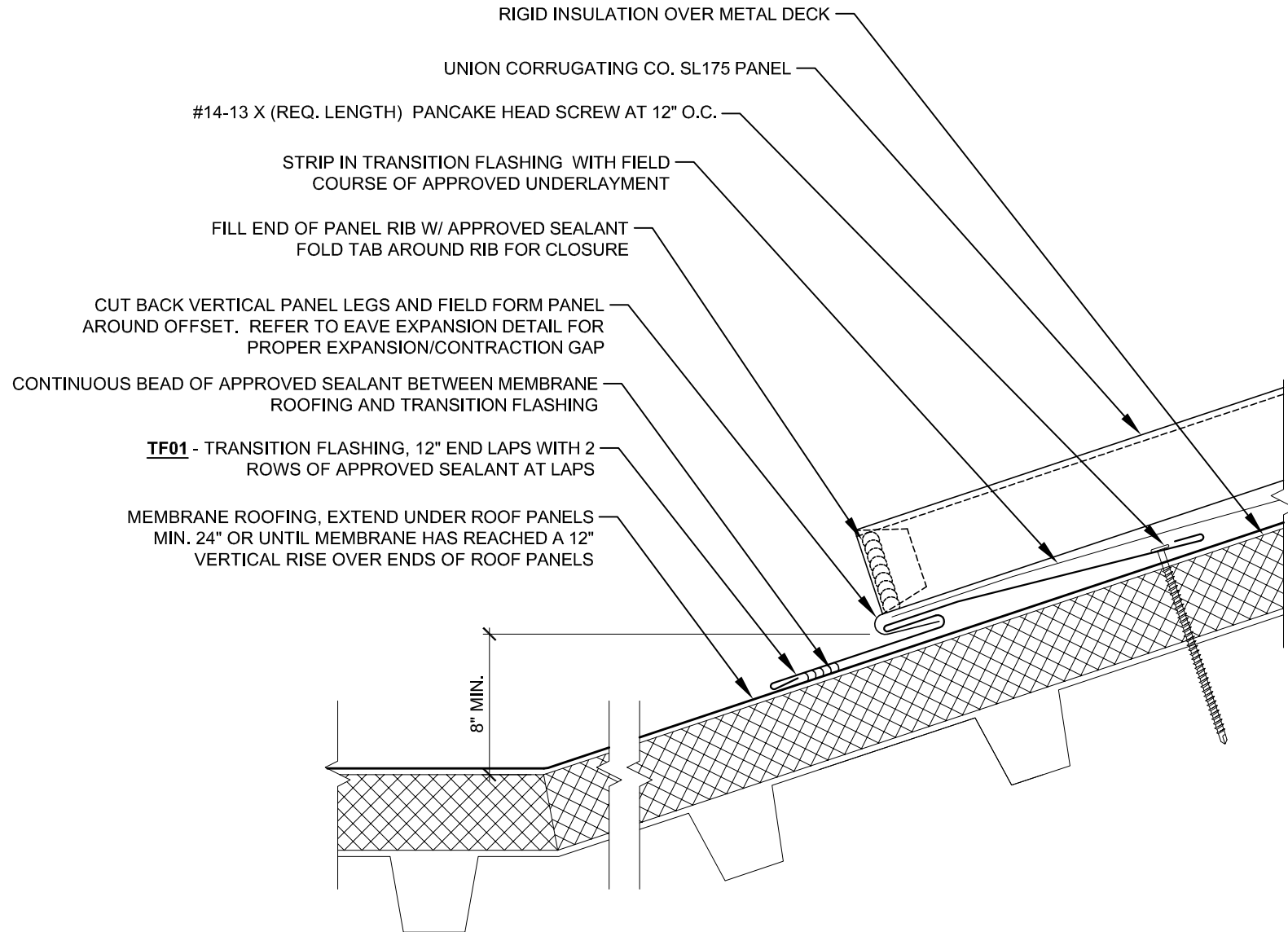
SL175-MD-8.10

Substrate:

RIGID INSULATION OVER METAL DECK

Project Name:

Location:



Description:

TRANSITION AT MEMBRANE ROOFING

Detail No.:

SL175-MD-8.20

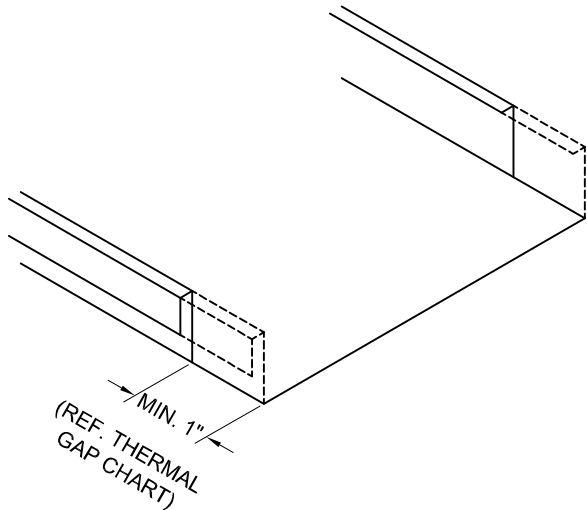
Substrate:

RIGID INSULATION OVER METAL DECK

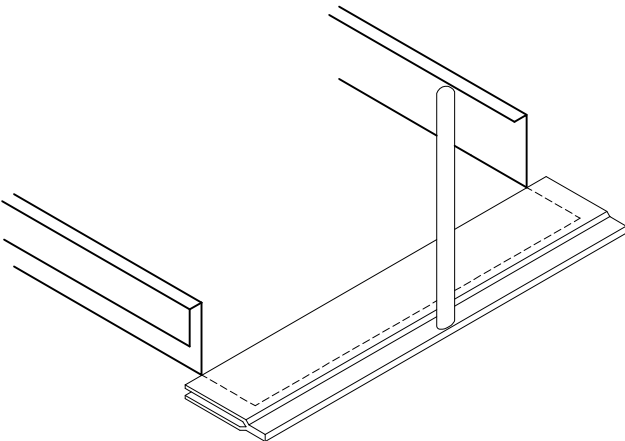
Project Name:

Location:

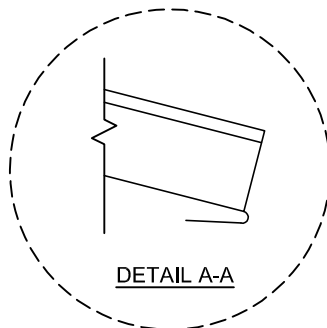
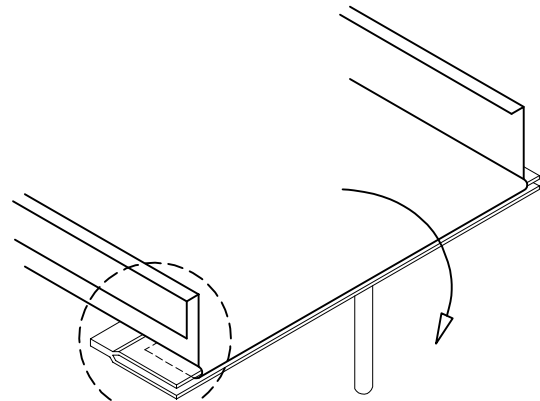
STEP 1: FIELD NOTCH RIBS AND REMOVE



STEP 2: ENGAGE PANEL HEMMING TOOL OVER FLAT PART OF PANEL TO ACCEPT OFFSET CLEAT



STEP 3: BEND TO FORM OPEN HEM



Description:

FIELD HEMMING PANEL END

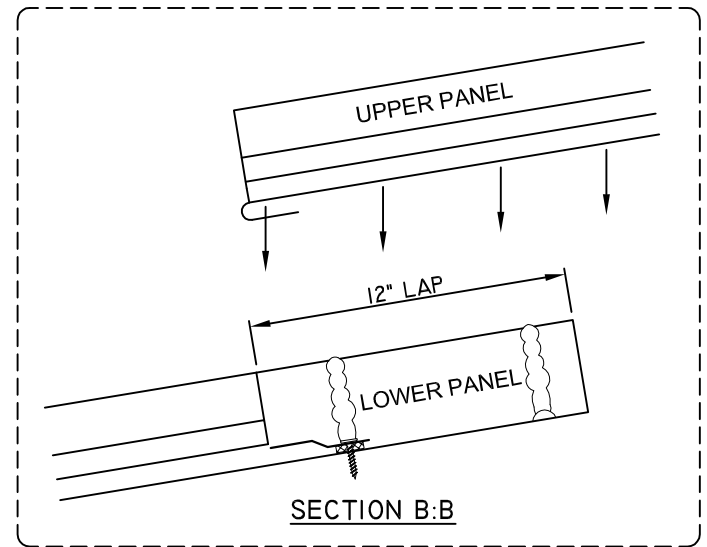
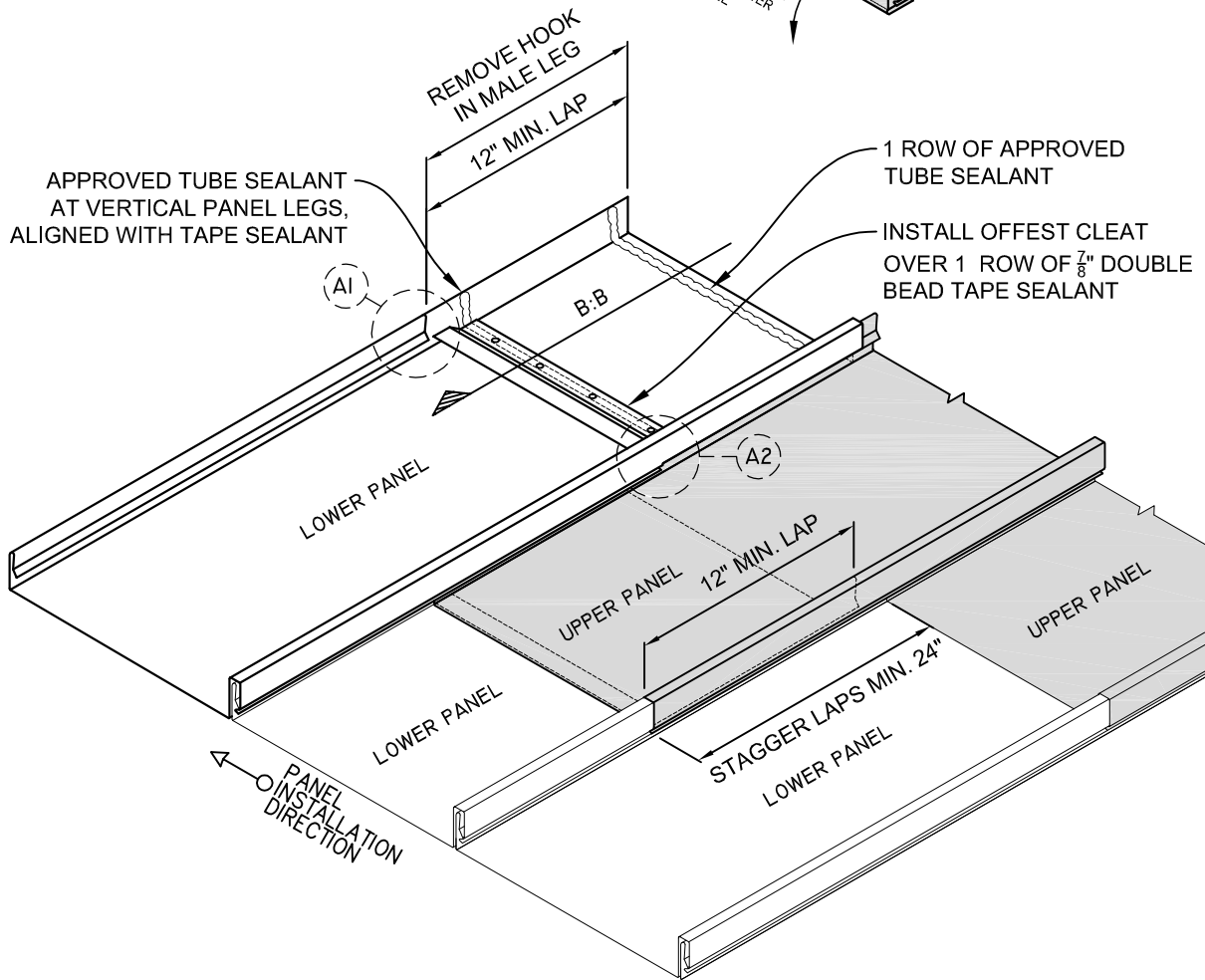
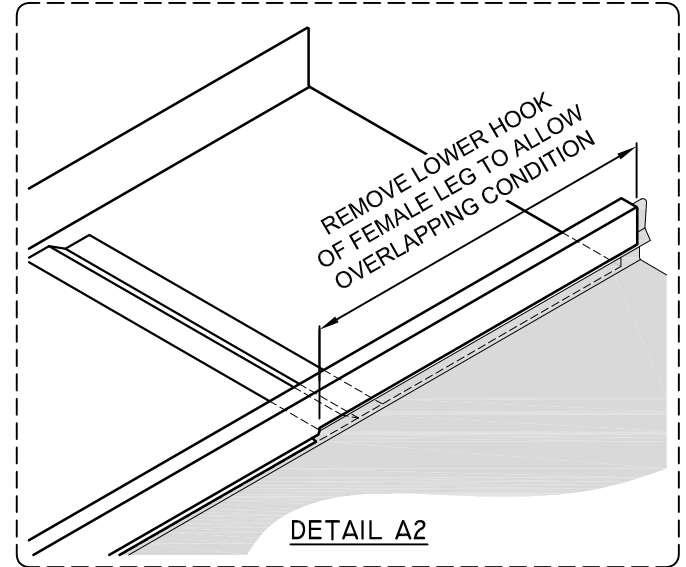
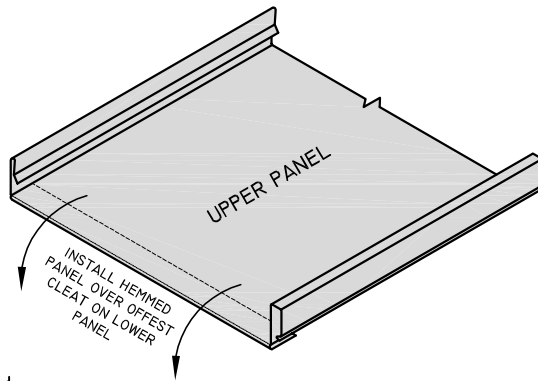
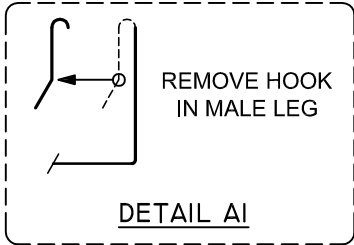
Detail No.:

SL175-10.10

Substrate:

Project Name:

Location:



Description:

PANEL LAP DETAIL - STEEP SLOPE

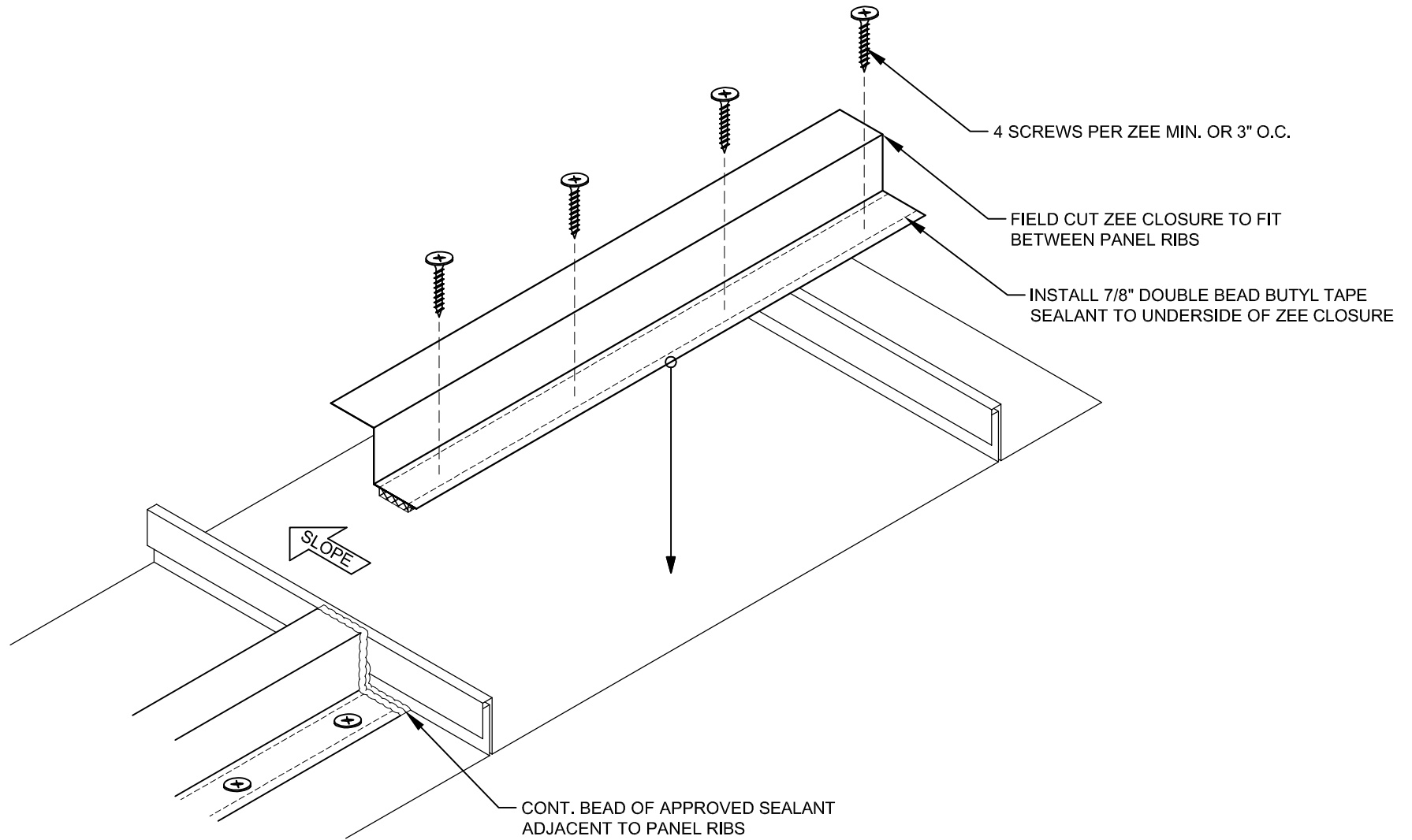
Detail No.:

SL175-LAP-10.15

Substrate:

Project Name:

Location:



Description:

ZEE CLOSURE INSTALLATION

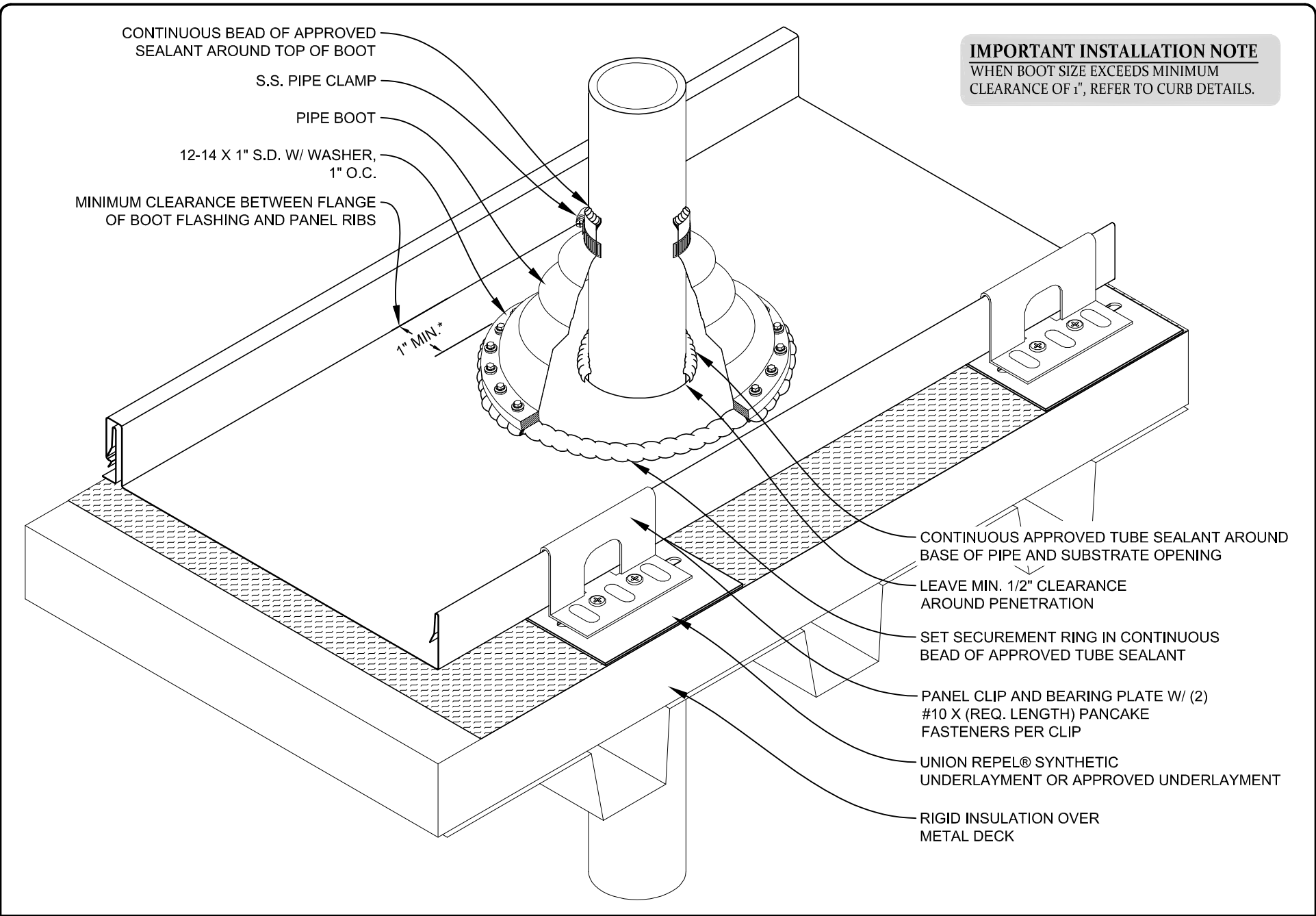
Detail No.:

SL175-10.20

Substrate:

Project Name:

Location:



IMPORTANT INSTALLATION NOTE
 WHEN BOOT SIZE EXCEEDS MINIMUM CLEARANCE OF 1", REFER TO CURB DETAILS.



Description: **PIPE PENETRATION**

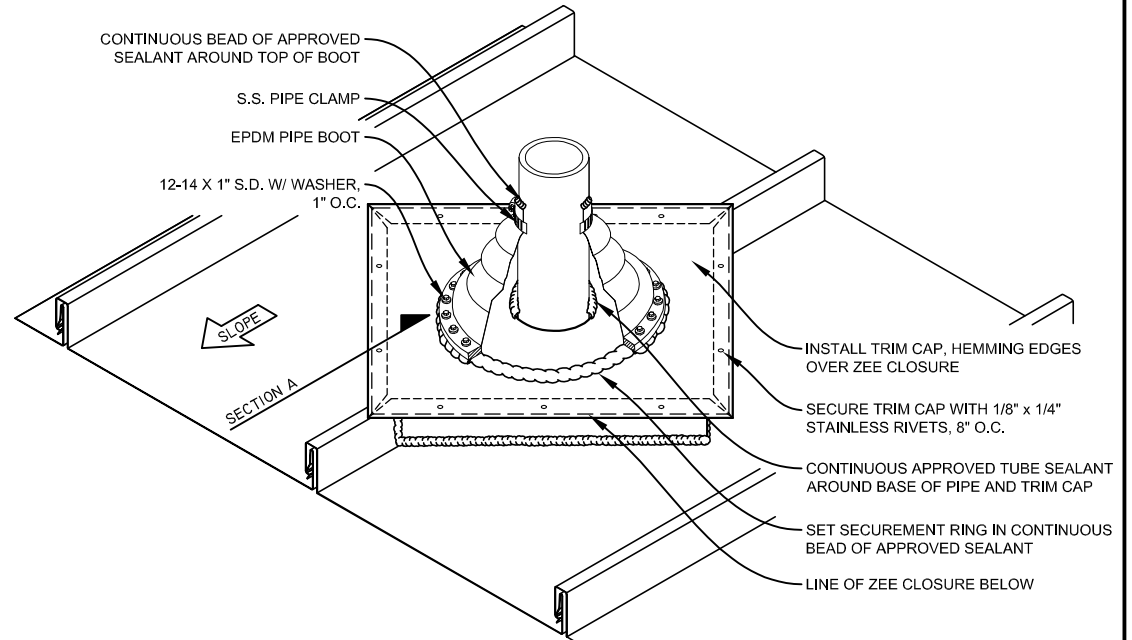
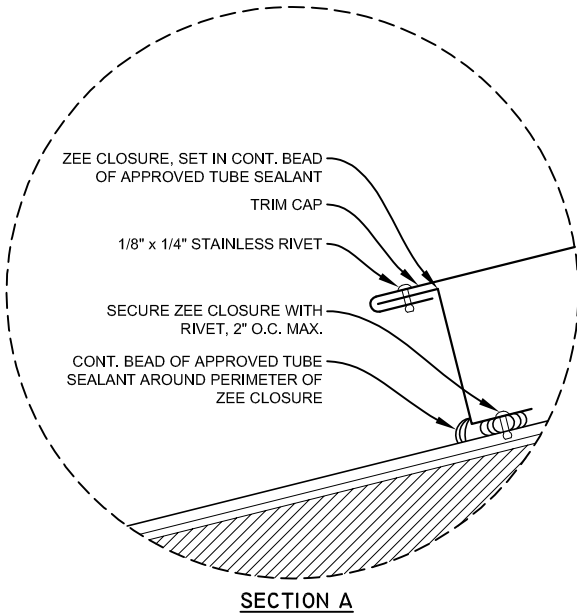
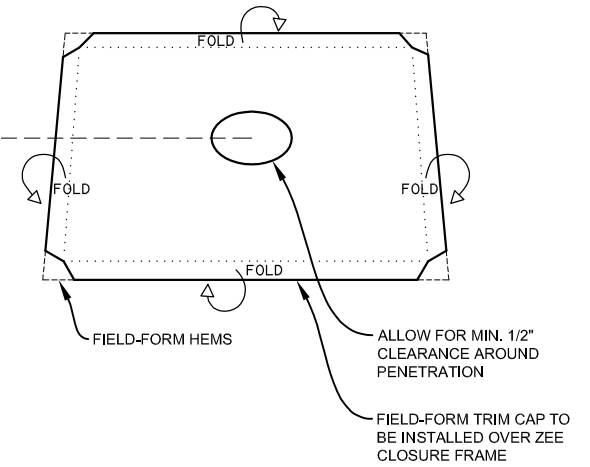
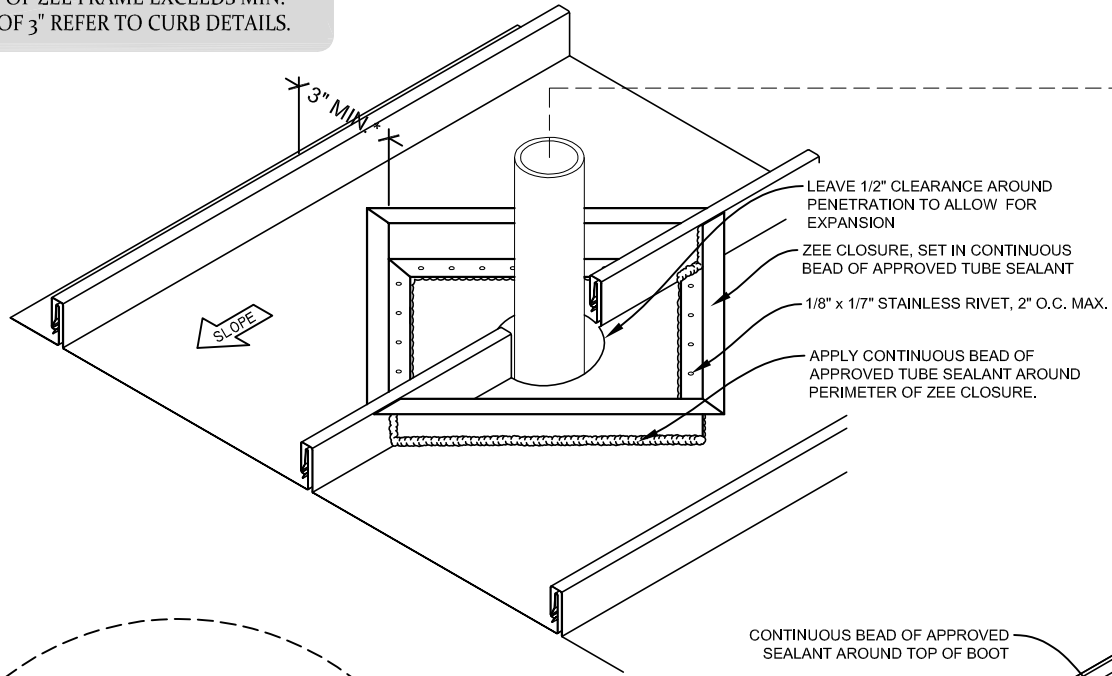
Substrate: **RIGID INSULATION OVER METAL DECK**

Detail No.: **SL175-MD-10.30**

Project Name:
 Location:

IMPORTANT INSTALLATION NOTE

*WHEN BASE OF ZEE FRAME EXCEEDS MIN. CLEARANCE OF 3" REFER TO CURB DETAILS.



Description:

PIPE PENETRATION THROUGH PANEL RIB

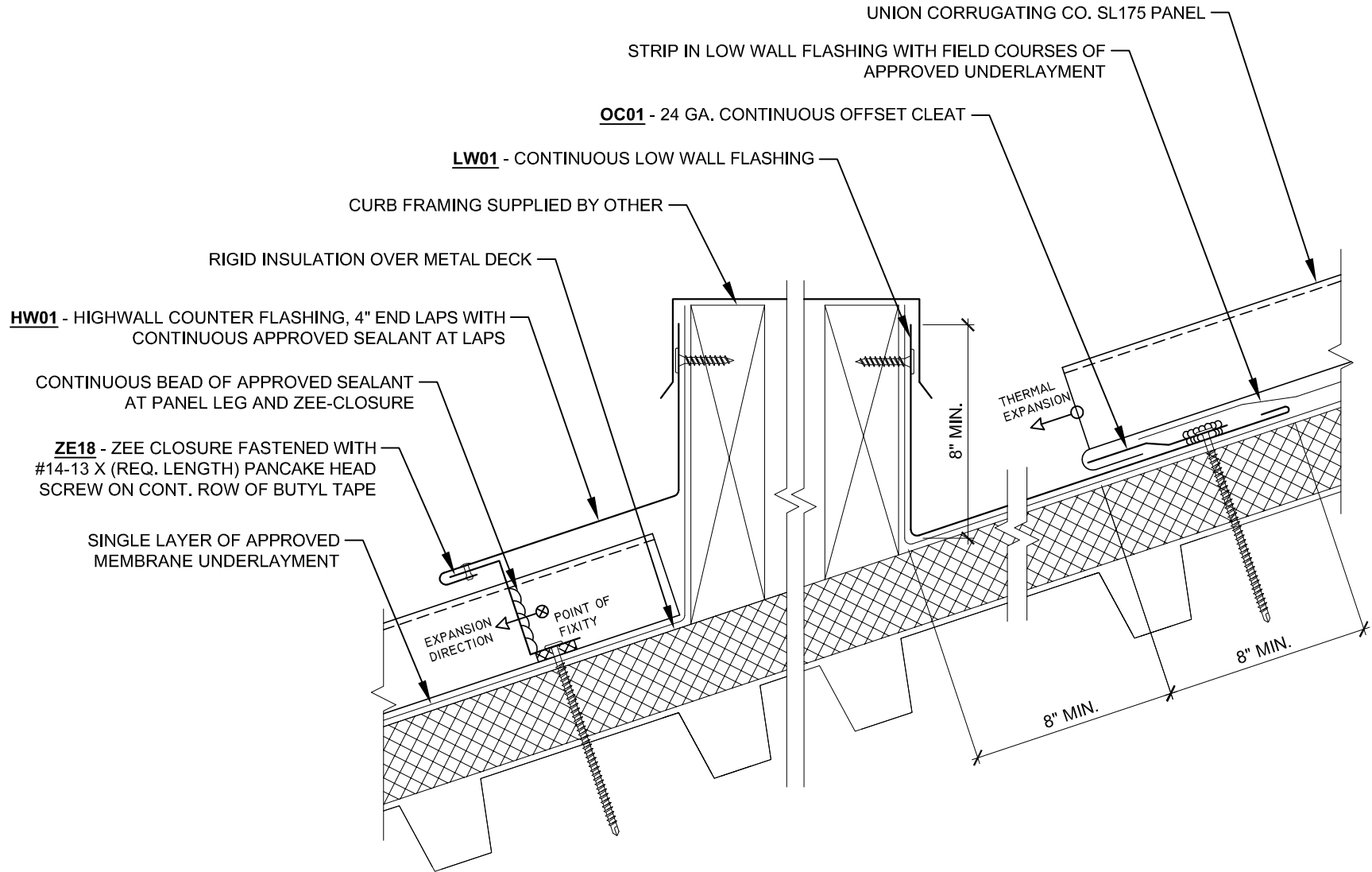
Detail No.:

SL175-10.31

Substrate:

Project Name:

Location:



Description: **LOW WALL & HIGHWALL @ SQUARE PENETRATION**

Substrate: **RIGID INSULATION OVER METAL DECK**

Detail No.: **SL175-MD-10.40**

Project Name:
Location:

SW02 - SIDEWALL COUNTER FLASHING, 4" END LAPS
WITH CONTINUOUS APPROVED SEALANT AT LAPS

PANEL LEG OR FIELD FORM PANEL LEG (MIN. 1-1/4")

ZE18 - ZEE CLOSURE FASTENED WITH #14-13 X
(REQ. LENGTH) PANCAKE HEAD SCREW

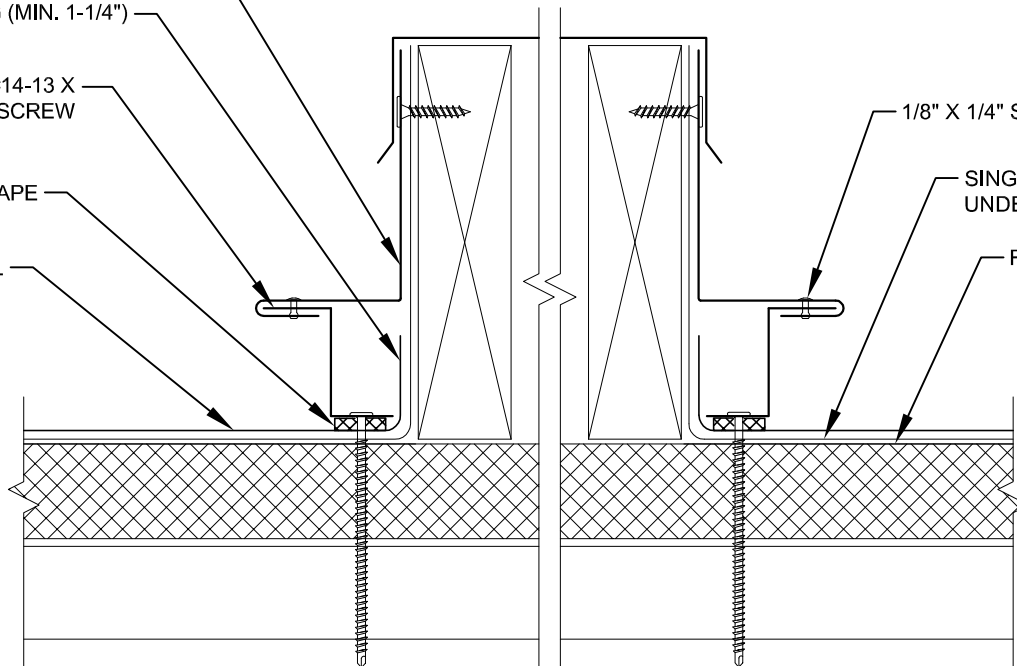
CONTINUOUS ROW OF BUTYL TAPE

UNION CORRUGATING CO. PANEL

1/8" X 1/4" STAINLESS STEEL RIVET

SINGLE LAYER OF APPROVED
UNDERLAYMENT

RIGID INSULATION OVER METAL DECK



Description:

SIDEWALL @ SQUARE PENETRATION

Detail No.:

SL175-MD-10.41

Substrate:

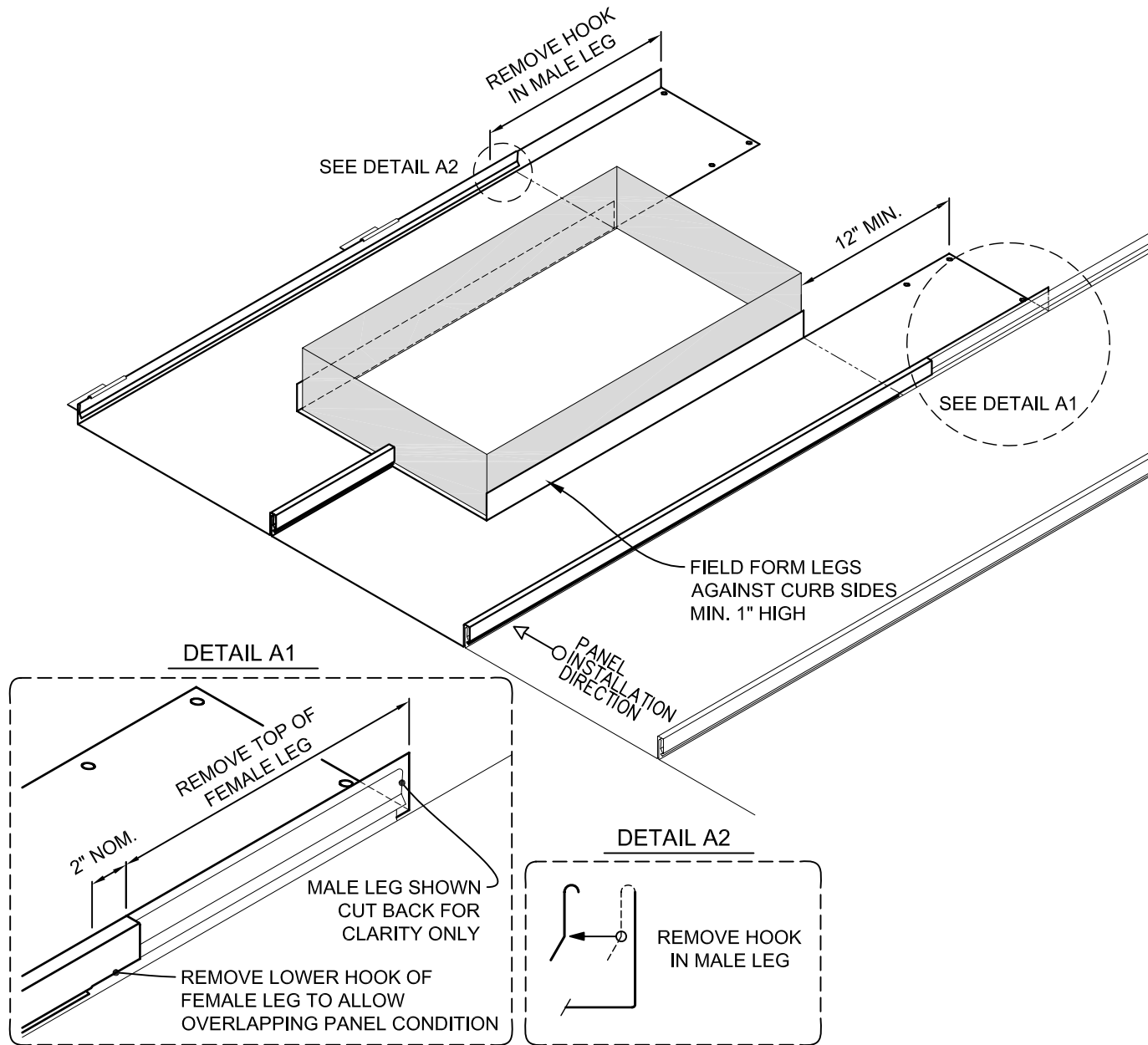
RIGID INSULATION OVER METAL DECK

Project Name:

Location:

STEP I

INSTALL PANELS
AROUND CURB.



Description:

SL175 CURB DETAILS - STEP I

Detail No.:

SL175-CRB: 1 of 6

Substrate:

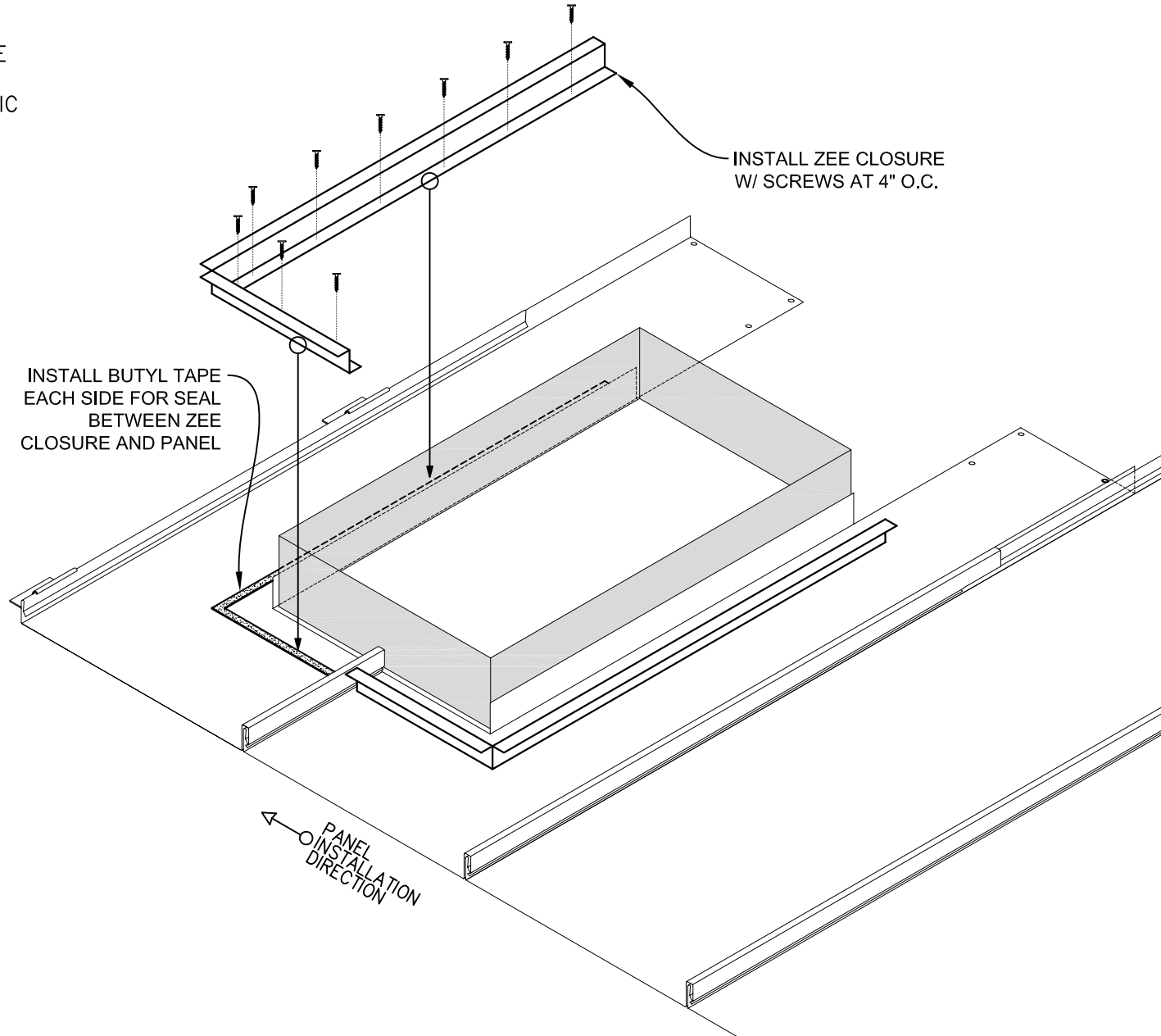
GENERAL INFORMATION

Project Name:

Location:

STEP 2

APPLY ZEE CLOSURE
FLASHING OVER
DOUBLE BEAD MASTIC



Description:

SL175 CURB DETAILS - STEP 2

Detail No.:

SL175-CRB: 2 of 6

Substrate:

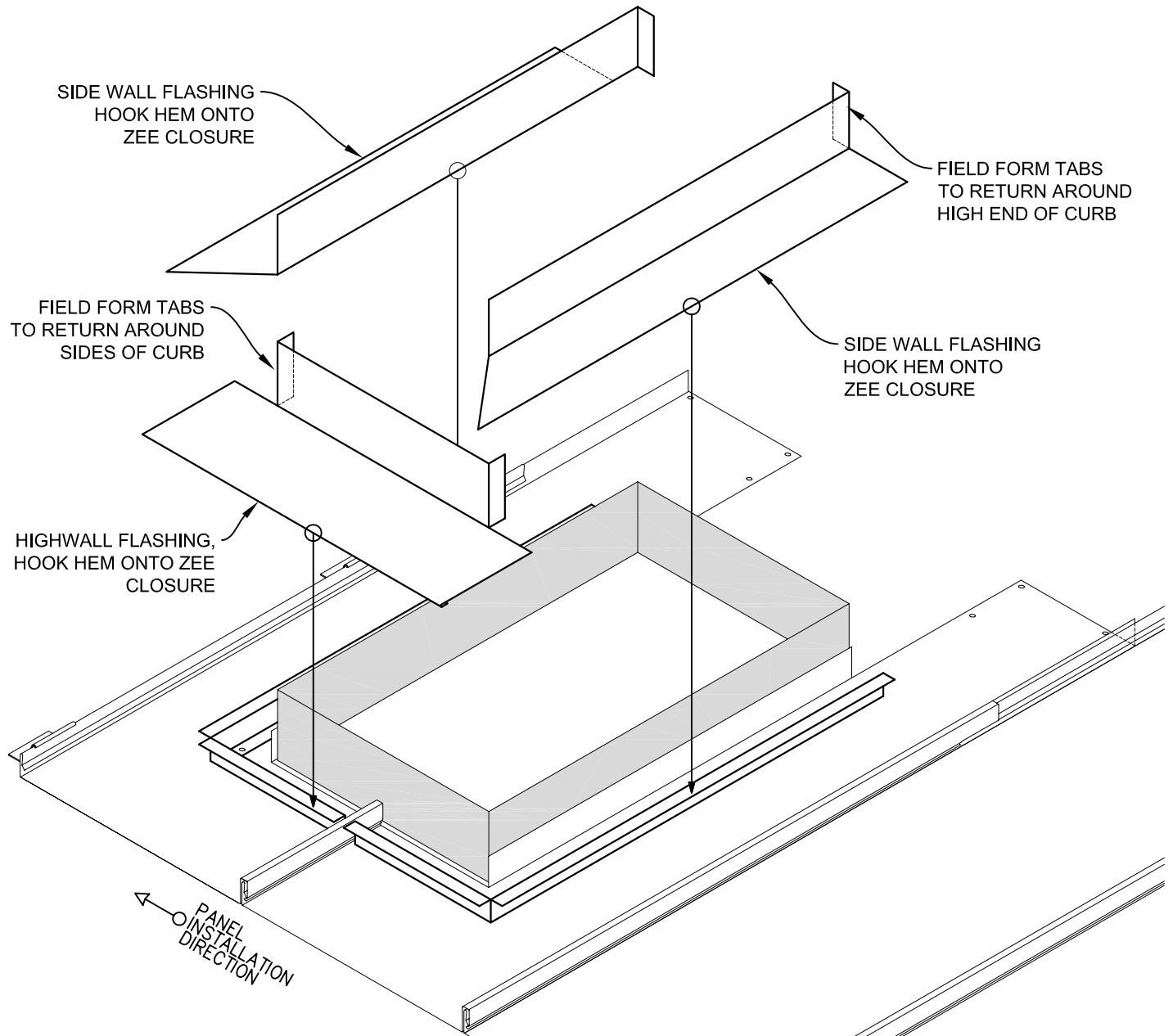
GENERAL INFORMATION

Project Name:

Location:

STEP 3

INSTALL SIDEWALL
AND HIGH WALL FLASHINGS
ATOP ZEE CLOSURE.



Description:

SL175 CURB DETAILS - STEP 3

Detail No.:

SL175-CRB: 3 of 6

Substrate:

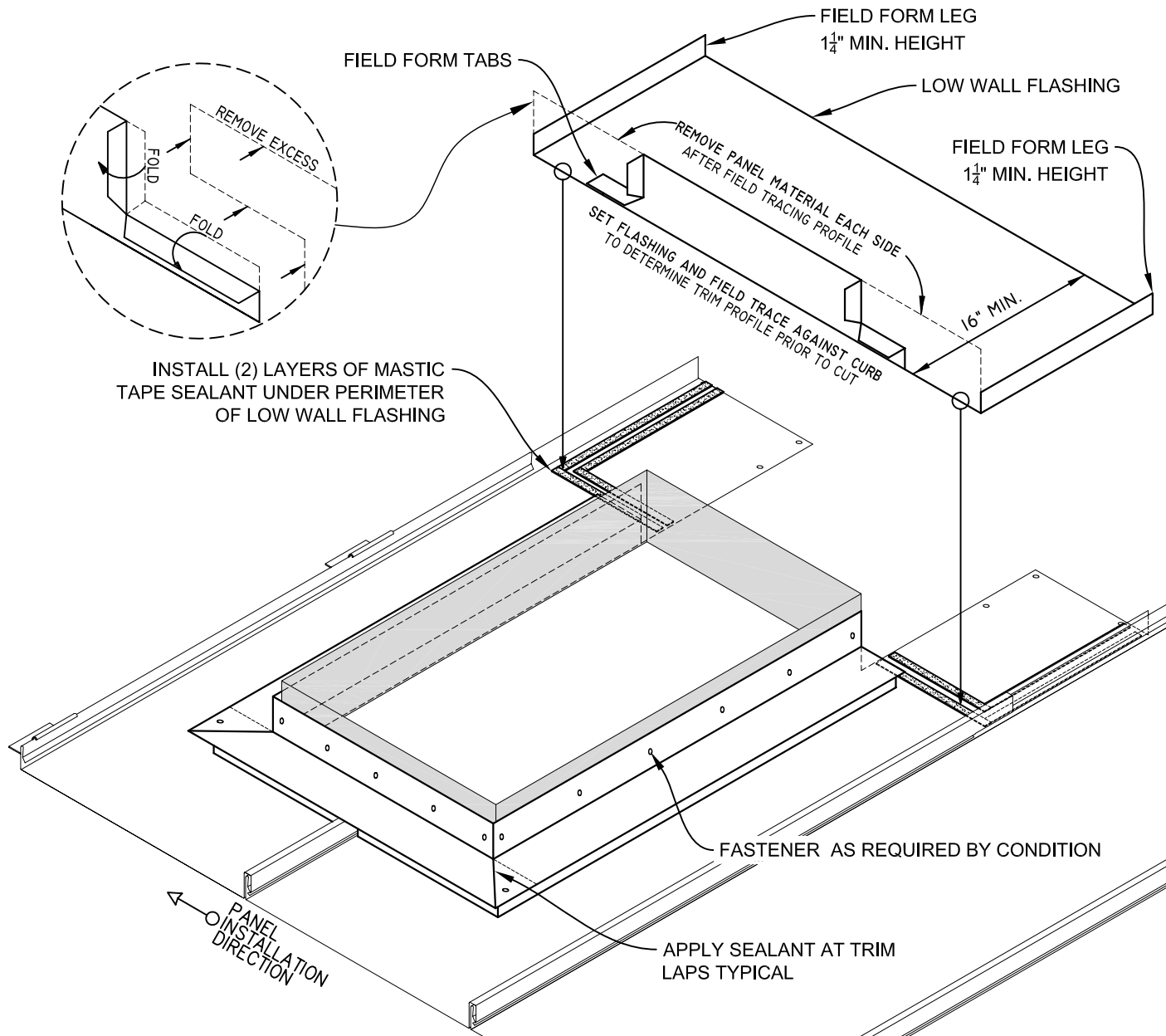
GENERAL INFORMATION

Project Name:

Location:

STEP 4

INSTALL LOW WALL FLASHING



Description:

SL175 CURB DETAILS - STEP 4

Detail No.:

SL175-CRB: 4 of 6

Substrate:

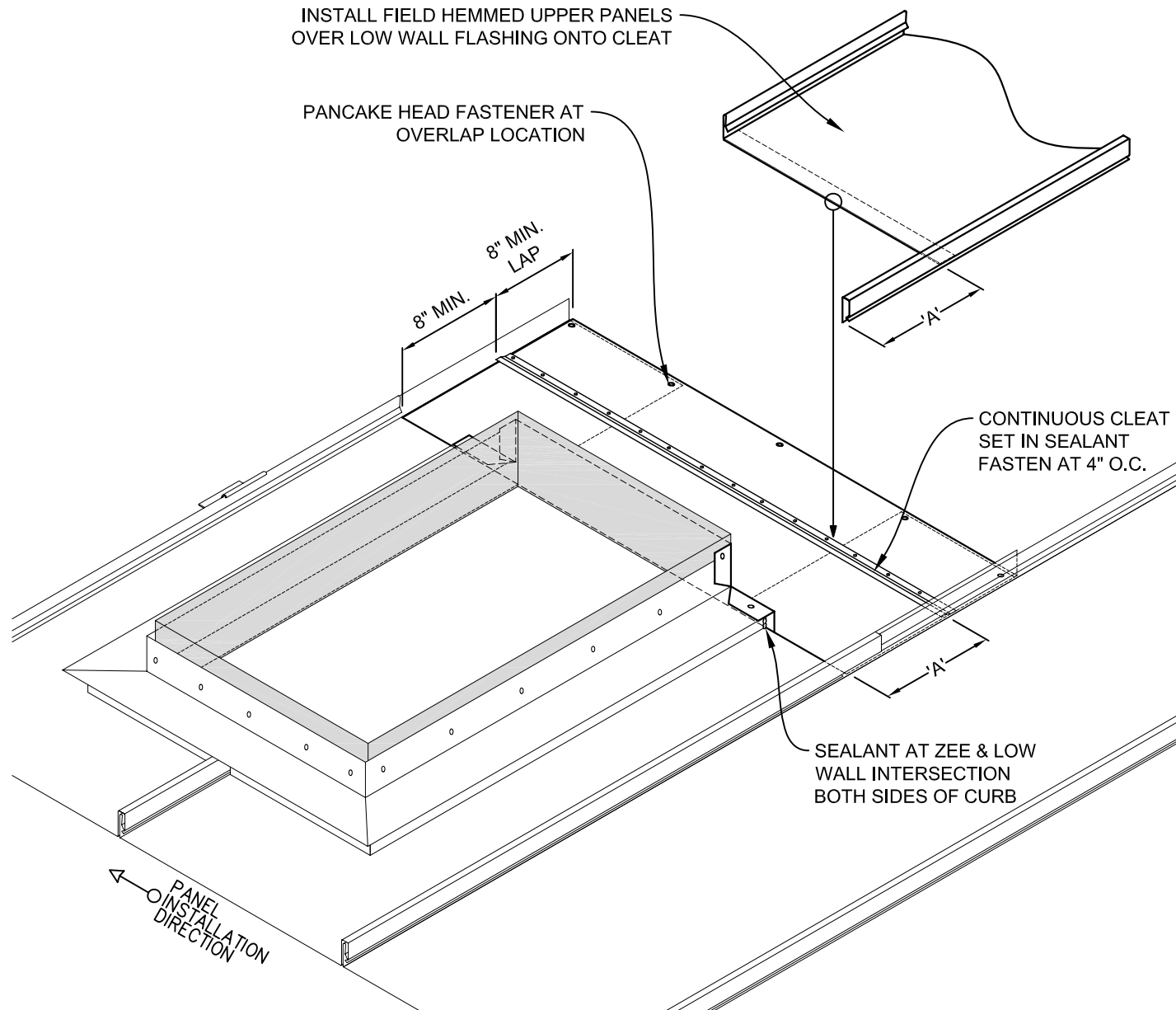
GENERAL INFORMATION

Project Name:

Location:

STEP 5

INSTALL CLEAT AND PREPARE FOR UPPER PANEL INSTALLATION.



Description:

SL175 CURB DETAILS - STEP 5

Detail No.:

SL175-CRB: 5 of 6

Substrate:

GENERAL INFORMATION

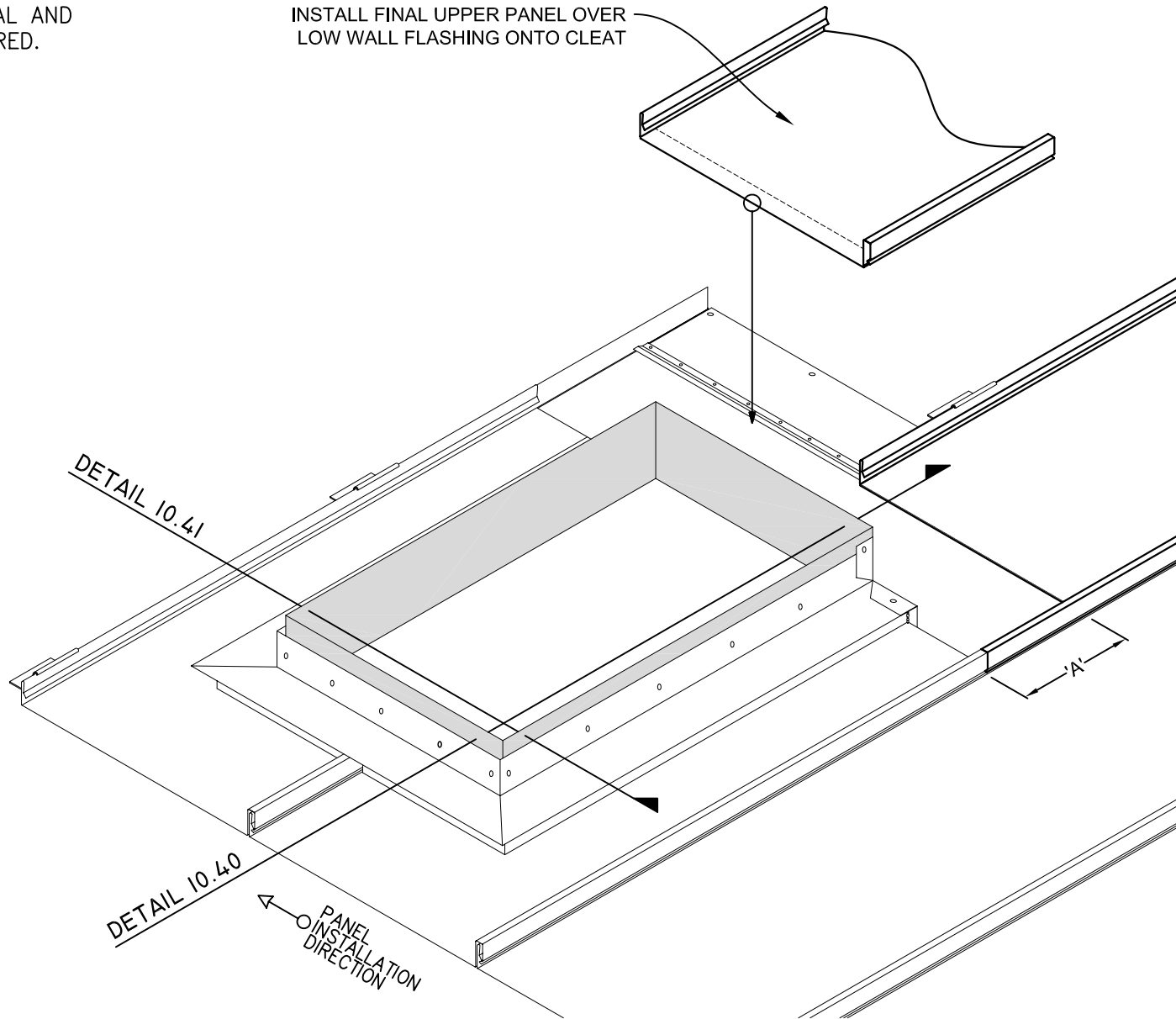
Project Name:

Location:

STEP 6

INSTALL FINAL SEAL AND FASTEN AS REQUIRED.

INSTALL FINAL UPPER PANEL OVER LOW WALL FLASHING ONTO CLEAT



Description:

SL175 CURB DETAILS - STEP 6

Detail No.:

SL175-CRB: 6 of 6

Substrate:

GENERAL INFORMATION

Project Name:

Location: